



100 Series Gas Check Valves

Applications

CNG dispenser, Storage Vessels, Priority panels, Compressors.

Materials

| Item | Description | CV102 Material |
|------|-----------------|---------------------|
| 1 | Body | 303 Stainless steel |
| 2 | Poppet Assembly | 385 brass |
| 3 | Spring Retainer | 385 brass |
| 4 | Poppet spring | Stainless steel |



CV102-3NBSO - Check Valve 1/4"

Product Specification

NPT thread is standard configuration to ASME B1.20.1.

Other thread types available upon request.

All products are manufactured to ISO 9001 standards.

Complies to PED 2014/68/EU.

More information available online at oasisngv.com/resources.

Not recommended for marine or coastal environments.

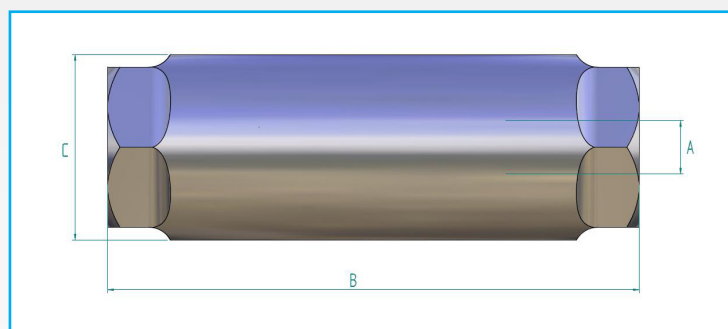
Features & Benefits

Specialist CNG check valve designed for long life applications.

Simple robust design.

Single piece, certified bar stock.

Tamper proof.



Dimensions: Imperial (mm)

| Part | Size | A (Bore) | B (Length) | C (Diameter) | Thread Type |
|-------|------|-------------|------------|--------------|-------------|
| CV102 | 1/4" | 0.25" (6.4) | 2.52" (64) | 0.87 (22) | 1/4" NPT |

Product Specification

| Part Code | Mass kg (lb) | Min. Crack Pressure psi (bar) * | Min. Re-seal Back Pressure psi (bar) ** | Max. Operating Pressure psi (bar) ^ | Min. Temp. °C (°F) | Max. Temp. °C (°F) | Cv |
|-------------|-----------------|---------------------------------------|---|---|--------------------------|--------------------------|----|
| CV102-3NBSO | 0.2 (0.4) | 2 (0.1) | 7 (0.5) | 6000 (410) | -40 (40) | 85 (185) | 1 |

* Minimum upstream pressure at which the valve will operate.

** Minimum back pressure at which to re-seal check valve.

^ Maximum pressure at which the product can continuously operate at.

We reserve the right to modify product specifications without prior notice.



300 Series Check Valves

Applications

Unidirectional flow applications such as CNG Dispensers, Fill Panels, Priority Panels, Compressors, Trailers and Service Stations, where flow should only be allowed to travel in one direction.

Suitable for CNG, Bio Gas, Nitrogen and Air.



CV300 Series Check Valves

Materials

| Item | Part | Material |
|------|-------------|---------------------|
| 1 | Body | 316 Stainless steel |
| 2 | End cap | 316 Stainless steel |
| 3 | Body insert | 6061 Aluminium |
| 4 | Poppet | 316 Stainless steel |

| Item | Part | Material |
|------|-----------------|---------------------|
| 5 | Poppet spring | 304 Stainless steel |
| 6 | Poppet seal | B16 PEEK |
| 7 | End Cap O-rings | Nitrile |

Product Information

Designed for unidirectional flow, direction shown on valve.

Multiple thread options available:

NPT threads conform to ASME B1.20.1

SAE threads conform to SAE J1926-1

ORFS threads conform to SAE J1453-1

BSP threads conform to ISO 228-1

All products are manufactured to ISO 9001 standards.

Complies to ISO 5208:2015(E), Leak Rate A - No leakage

Complies to PED 2014/68/EU.

CRN (OC19859.5CADD2) approved for all provinces and territories.

Features & Benefits

Check valves with a two-piece body and one-piece poppet, sets the standard in flow rates, strength and reliable sealing performance.

Precision manufactured from certified stainless steel bar stock, provides endurance and reliability in any application.

Flow protected springs with optimized flow paths give increased flow rates and greater resistance to chatter.

Easy to install service kits are readily available, allowing in-field servicing and reduced downtime.

Springs with different cracking pressures available upon request, minimum order quantities may apply.



300 Series Check Valves

NPT Product Specification

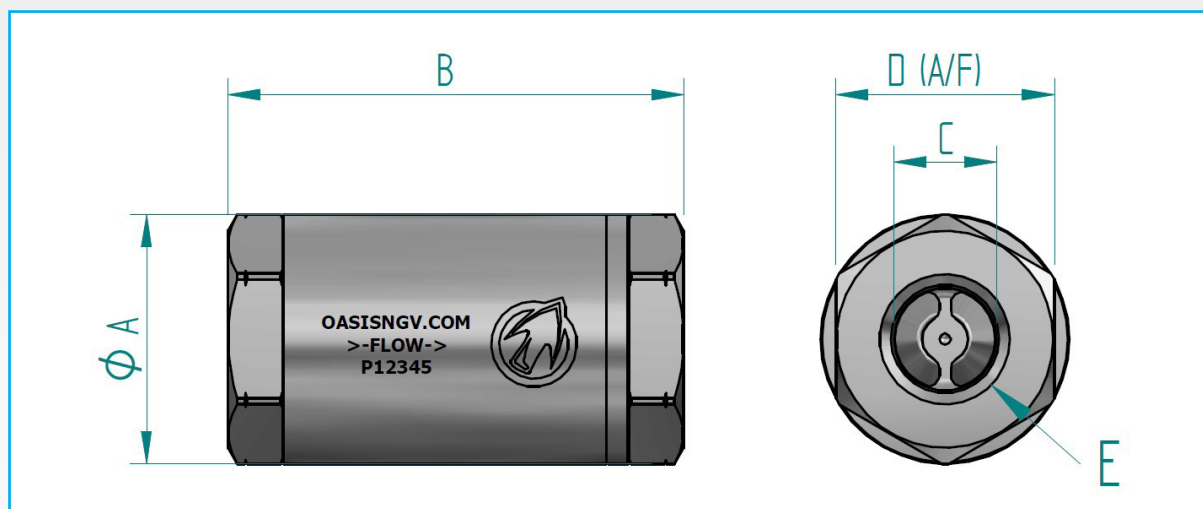
| Part Code | Mass lb (kg) | Min. Crack Pressure psi(bar)* | Max. Operating Pressure psi (bar)** | Min Temp. °F (°C) | Max Temp. °F (°C) | Cycles Before Rekit [^] | Cv | Service Kit |
|-------------|-----------------|-------------------------------------|--|-------------------------|----------------------|--|----|-------------|
| CV304-6NXDN | 1.1 (0.5) | 2 (0.14) | 6000 (410) | -40 (-40) | 185 (85) | 15,000 | 8 | CV304-SKXDN |
| CV306-6NXDP | 3.28 (1.49) | 2 (0.14) | 6000 (410) | -40 (-40) ^{^^} | 185 (85) | 15,000 | 23 | CV306-SKXDP |
| CV308-6NXDP | 5.79(2.63) | 0.5 (0.03) | 6000 (410) | -40 (-40) ^{^^} | 185 (85) | 15,000 | 34 | CV308-SKXDP |

* Minimum upstream pressure at which the valve will open.

** Maximum pressure at which the product can continuously operate.

[^] One cycle refers to the application of max operating pressure in the opposite direction of flow. It is recommended that the check valve is re-kitted on or before the maximum number of allowable cycles.

^{^^} This product uses a low temperature nitrile O-ring compound and may be suitable for use down to -65°F (-54°C) in certain applications. Contact Oasis to discuss your requirements.



NPT Dimensions Inch (mm)

| Part Code | Size | Diameter Ø A | Length B | Bore C | Hex D (A/F) | Port Thread E |
|-------------|------|-----------------|-------------|-------------|----------------|------------------|
| CV304-6NXDN | 1/2" | 1.49 (38) | 2.85 (72.5) | 0.51 (13) | 1.31 (33.4) | 1/2" NPT Female |
| CV306-6NXDP | 3/4" | 2.15 (54.5) | 3.94 (100) | 0.79 (20.1) | 1.89 (48) | 3/4" NPT Female |
| CV308-6NXDP | 1" | 2.72 (69.2) | 4.29 (109) | 0.98 (24.9) | 2.36 (60) | 1" NPT Female |



300 Series Check Valves

SAE Product Specification

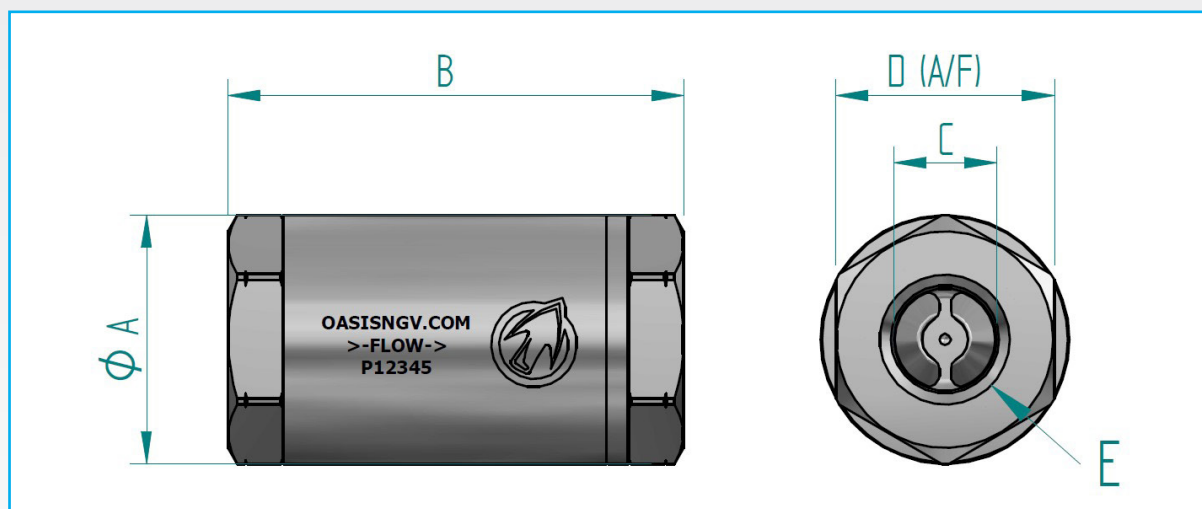
| Part Code | Mass lb (kg) | Min. Crack Pressure psi(bar)* | Max. Operating Pressure psi (bar)** | Min Temp. °F (°C) | Max Temp. °F (°C) | Cycles Before Rekit [^] | Cv | Service Kit |
|-------------|-----------------|-------------------------------------|--|-------------------------|----------------------|--|----|---------------|
| CV304-6SXDN | 1.1 (0.5) | 2 (0.14) | 6000 (410) | -40 (-40) | 185 (85) | 15,000 | 8 | CV304-SKXDN-S |
| CV306-6SXDP | 3.28 (1.49) | 2 (0.14) | 6000 (410) | -40 (-40) ^{^^} | 185 (85) | 15,000 | 23 | CV306-SKXDP-S |
| CV308-6SXDP | 5.79(2.63) | 0.5 (0.03) | 6000 (410) | -40 (-40) ^{^^} | 185 (85) | 15,000 | 34 | CV308-SKXDP-S |

* Minimum upstream pressure at which the valve will open.

** Maximum pressure at which the product can continuously operate.

[^] One cycle refers to the application of max operating pressure in the opposite direction of flow. It is recommended that the check valve is re-kitted on or before the maximum number of allowable cycles.

^{^^} This product uses a low temperature nitrile O-ring compound and may be suitable for use down to -65°F (-54°C) in certain applications. Contact Oasis to discuss your requirements.



SAE Dimensions Inch (mm)

| Part Code | Size | Diameter Ø A | Length B | Bore C | Hex D (A/F) | Port Thread E |
|-------------|------|-----------------|-------------|-------------|----------------|----------------------|
| CV304-6SXDN | 1/2" | 1.49 (38) | 2.85 (72.5) | 0.51 (13) | 1.31 (33.4) | 3/4-16 SAE Female |
| CV306-6SXDP | 3/4" | 2.15 (54.5) | 3.94 (100) | 0.79 (20.1) | 1.89 (48) | 1 1/16-12 SAE Female |
| CV308-6SXDP | 1" | 2.72 (69.2) | 4.29 (109) | 0.98 (24.9) | 2.36 (60) | 1 5/16-12 SAE Female |



300 Series Check Valves

ORFS Product Specification

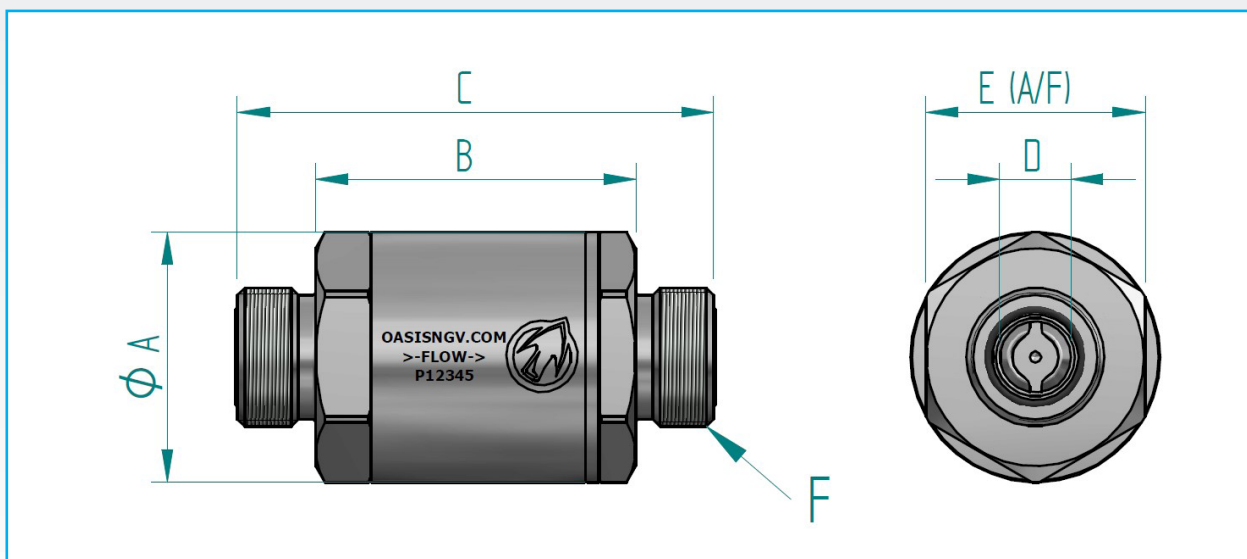
| Part Code | Mass lb (kg) | Min. Crack Pressure psi(bar)* | Max. Operating Pressure psi (bar)** | Min Temp. °F (°C) | Max Temp. °F (°C) | Cycles Before Rekit [^] | Cv | Service Kit |
|-------------|-----------------|-------------------------------------|--|-------------------------|----------------------|--|------|---------------|
| CV304-6FXDN | 0.9(0.4) | 2 (0.14) | 6000 (410) | -40 (-40) | 185 (85) | 15,000 | 2.6 | CV304-SKXDN-F |
| CV306-6FXDP | 2.5(1.12) | 2 (0.14) | 6000 (410) | -40 (-40) ^{^^} | 185 (85) | 15,000 | 10.5 | CV306-SKXDP-F |
| CV308-6FXDP | 4.3(1.95) | 0.5 (0.03) | 6000 (410) | -40 (-40) ^{^^} | 185 (85) | 15,000 | 24.8 | CV308-SKXDP-F |

* Minimum upstream pressure at which the valve will open.

** Maximum pressure at which the product can continuously operate.

[^] One cycle refers to the application of max operating pressure in the opposite direction of flow. It is recommended that the check valve is re-kitted on or before the maximum number of allowable cycles.

^{^^} This product uses a low temperature nitrile O-ring compound and may be suitable for use down to -65°F (-54°C) in certain applications. Contact Oasis to discuss your requirements.



ORFS Dimensions Inch (mm)

| Part Code | Size | Diameter Ø A | Length B | Length C | Bore Ø D | Hex E (A/F) | End Thread F |
|-------------|------|-----------------|-------------|-------------|-------------|----------------|-------------------|
| CV304-6FXDN | 1/2" | 1.49 (38) | 2 (50.8) | 3 (76.8) | 0.4 (9.5) | 1.31 (33.4) | 13/16-16 UN ORFS |
| CV306-6FXDP | 3/4" | 2.15 (54.5) | 2.76 (70) | 4.1 (104) | 0.6 (15.5) | 1.89 (48) | 1 3/16-12 UN ORFS |
| CV308-6FXDP | 1" | 2.72 (69.2) | 3 (77) | 4.4 (112) | 0.8 (20.5) | 2.36 (60) | 1 7/16-12 UN ORFS |



300 Series Check Valves

BSP Product Specification

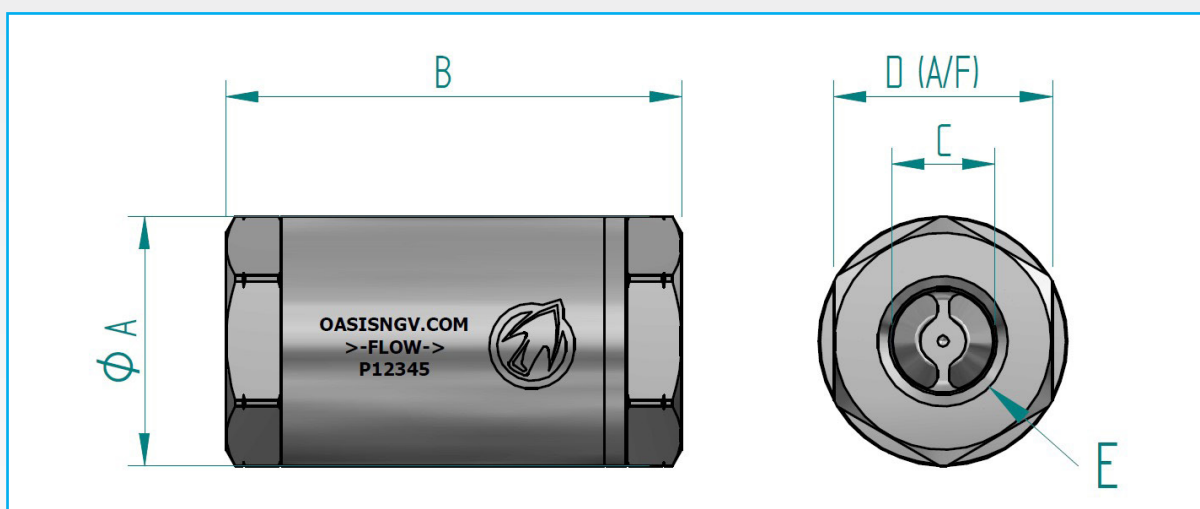
| Part Code | Mass lb (kg) | Min. Crack Pressure psi(bar)* | Max. Operating Pressure psi (bar)** | Min Temp. °F (°C) | Max Temp. °F (°C) | Cycles Before Rekit [^] | Cv | Service Kit |
|-------------|-----------------|-------------------------------------|--|-------------------------|----------------------|--|----|---------------|
| CV304-6BXDN | 1.1 (0.5) | 2 (0.14) | 6000 (410) | -40 (-40) | 185 (85) | 15,000 | 8 | CV304-SKXDN-B |
| CV306-6BXDP | 3.28 (1.49) | 2 (0.14) | 6000 (410) | -40 (-40) ^{^^} | 185 (85) | 15,000 | 23 | CV306-SKXDP-B |
| CV308-6BXDP | 5.79(2.63) | 0.5 (0.03) | 6000 (410) | -40 (-40) ^{^^} | 185 (85) | 15,000 | 34 | CV308-SKXDP-B |

* Minimum upstream pressure at which the valve will open.

** Maximum pressure at which the product can continuously operate.

[^] One cycle refers to the application of max operating pressure in the opposite direction of flow. It is recommended that the check valve is re-kitted on or before the maximum number of allowable cycles.

^{^^} This product uses a low temperature nitrile O-ring compound and may be suitable for use down to -65°F (-54°C) in certain applications. Contact Oasis to discuss your requirements.



BSP Dimensions Inch (mm)

| Part Code | Size | Diameter Ø A | Length B | Bore C | Hex D (A/F) | Port Thread E |
|-------------|------|-----------------|-------------|-------------|----------------|------------------|
| CV304-6BXDN | 1/2" | 1.49 (38) | 2.85 (72.5) | 0.51 (13) | 1.31 (33.4) | 1/2" BSPP |
| CV306-6BXDP | 3/4" | 2.15 (54.5) | 3.94 (100) | 0.79 (20.1) | 1.89 (48) | 3/4" BSPP |
| CV308-6BXDP | 1" | 2.72 (69.2) | 4.29 (109) | 0.98 (24.9) | 2.36 (60) | 1" BSPP |