



700 Series Ball Valves

Applications

CNG Compressors, Dispensers, Priority Panels, Isolation Valves, CNG storage.

Suitable for use with CNG, Helium, Bio-Gas, Nitrogen, Air and other gases on enquiry.



BV708-4N6LDDN-1000 - 1" Ball Valve

Materials

Item	Part	Material
1	Body	304 Stainless steel
2	Cap	304 Stainless steel
3	Stem	316 Stainless steel
4	Ball	316 Stainless steel
5	Seats	Delrin

Item	Part	Material
6	Seat O-ring	Nitrile*
7	Gland & Thrust	Delrin
8	Body O-rings	Nitrile
9	Stem O-rings	Nitrile
10	Handle	304 Stainless Steel

* Seat O-ring only used on BV704 - BV706 - BV708 valves.

Product Information

Custom handle options available on request.

NPT/SAE threaded ports available from stock. Other thread types available upon request.

3/4" valve tested to NGV4.6 option available on request.

NPT threads conform to ASME B1.20.1.

SAE threads conform to SAE J1926-1.

All products are manufactured to ISO 9001 standards.

Complies to PED 2014/68/EU.

CRN (OC12117.2C) approved for all provinces.

Video servicing instructions available online at www.OasisNGV.com/resources.

Features & Benefits

The 700 Series Ball Valve is a FULL FLOW, Anti Blowout stem, all stainless steel certified bar stock, two-piece, serviceable valve.

Service kits are readily available & easy to install.

CNC machining allows tighter tolerances to be maintained, which extends the working life of the components.

The complete Oasis range has been cycle tested to ensure **LOWEST LIFE COST**.



700 Series Ball Valves

NPT Product Specification

Part Code	Mass lb (kg)	Min. Operating Pressure bar (psi) *	Max. Operating Pressure bar (psi) **	Min. Temp. °F (°C)	Max Temp. °F (°C)	Cycles Before Rekit [^]	Stem Open Torque ft-lb (Nm) ^{^^}	Cv	Service Kit
BV702-4N6SDDN-1000	0.7 (0.3)	34.5 (500)	410 (6000)	-40 (-40)	185 (85)	85,000	1.1 (1.5)	4.5	BV702-SK6SDDN
BV703-4N6SDDN-1000	0.9 (0.4)	34.5 (500)	410 (6000)	-40 (-40)	185 (85)	100,000	2.2 (3)	9.3	BV703-SK6SDDN
BV704-4N6LDDN-1000	1.3 (0.6)	0.5 (7)	410 (6000)	-40 (-40)	185 (85)	100,000	10.3 (14)	12.3	BV704-SK6LDDN
BV706-4N6LDDN-1000	3.7 (1.7)	0.5 (7)	410 (6000)	-40 (-40)	185 (85)	100,000	22.8 (31)	31	BV706-SK6LDDN [#]
BV708-4N6LDDN-1000	6.2 (2.8)	0.5 (7)	410 (6000)	-40 (-40)	185 (85)	100,000	32.4 (44)	44.5	BV708-SK6LDDN

* Minimum system pressure the product will hold constant bubble tight seal.

** Maximum pressure at which the product can constantly operate at.

[^] It is recommended that the ball valve is re-kitted on or before the maximum number of allowable cycles.

[#] For obsolete valve BV706-4NSDDN use BV706-SKSDDN service kit only.

^{^^} Opening torque at 6,000 psi

SAE Product Specification

Part Code	Mass lb (kg)	Min. Operating Pressure bar (psi) *	Max. Operating Pressure bar (psi) **	Min. Temp. °F (°C)	Max Temp. °F (°C)	Cycles Before Rekit [^]	Stem Open Torque ft-lb (Nm) ^{^^}	Cv	Service Kit
BV704-4S6LDDN-1000	1.3 (0.6)	0.5 (7)	410 (6000)	-40 (-40)	185 (85)	100,000	10.3 (14)	12.3	BV704-SK6LDDN-S
BV706-4S6LDDN-1000	3.7 (1.7)	0.5 (7)	410 (6000)	-40 (-40)	185 (85)	100,000	22.8 (31)	31	BV706-SK6LDDN-S
BV708-4S6LDDN-1000	6.2 (2.8)	0.5 (7)	410 (6000)	-40 (-40)	185 (85)	100,000	32.4 (44)	44.5	BV708-SK6LDDN-S

* Minimum system pressure the product will hold constant bubble tight seal.

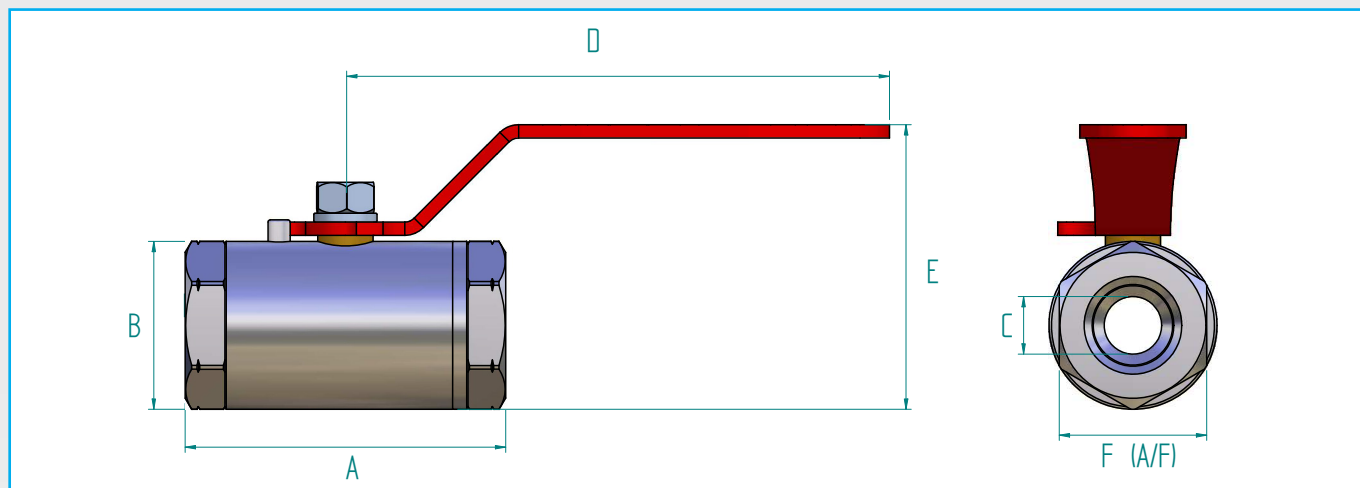
** Maximum pressure at which the product can constantly operate at.

[^] It is recommended that the ball valve is re-kitted on or before the maximum number of allowable cycles.

^{^^} Opening torque at 6,000 psi



700 Series Ball Valves



NPT Dimensions Inch (mm)

Part Code	Size	A	B	Ø C	D	E	Port Thread	F (A/F)
BV702-4N6SDDN-1000	1/4"	1.96 (50)	1.1 (28)	.275 (7)	3.54 (90)	1.93 (49)	1/4" NPT FEMALE	1 (25)
BV703-4N6SDDN-1000	3/8"	2.32 (59)	1.25 (32)	.39 (10)	4.9 (125)	2.28 (58)	3/8" NPT FEMALE	1.1 (28)
BV704-4N6LDDN-1000	1/2"	2.87 (73)	1.5 (38)	.5 (13)	4.9 (125)	2.56 (65)	1/2" NPT FEMALE	1.3 (33.4)
BV706-4N6LDDN-1000	3/4"	3.9 (100)	2.16 (55)	.78 (20)	6.9 (177)	3.5 (89)	3/4" NPT FEMALE	1.9 (48)
BV708-4N6LDDN-1000	1"	4.2 (108)	2.72 (69)	1 (26)	6.9 (177)	4 (102)	1" NPT FEMALE	2.3 (60)

SAE Dimensions Inch (mm)

Part Code	Size	A	B	Ø C	D	E	Port Thread	F (A/F)
BV704-4S6LDDN-1000	1/2"	2.87 (73)	1.5 (38)	.5 (13)	4.9 (125)	2.56 (65)	3/4-16 SAE FEMALE	1.3 (33.4)
BV706-4S6LDDN-1000	3/4"	3.9 (100)	2.16 (55)	.78 (20)	6.9 (177)	3.5 (89)	1 1/16-12 SAE FEMALE	1.9 (48)
BV708-4S6LDDN-1000	1"	4.2 (108)	2.72 (69)	1 (26)	6.9 (177)	4 (102)	1 5/16-12 SAE FEMALE	2.3 (60)



800 Series Ball Valves - 550 Bar

Applications

High pressure isolation valves.

Suitable for use with CNG, Bio-Gas, Nitrogen and Air.



BV804-6B6HCDN-1000 - 1/2" Ball Valve

Materials

Item	Part	Material
1	Body	316 Stainless steel
2	Cap	316 Stainless steel
3	Stem	316 Stainless steel
4	Ball	316 Stainless steel
5	Seats	B16 PEEK

Item	Part	Material
7	Gland & Thrust	Delrin
8	Body O-rings	Nitrile
9	Stem O-rings	Nitrile
10	Handle	304 Stainless Steel

Product Information

NPT threads conform to ASME B1.20.1.

BSP threads conform to ISO 228.

All products are manufactured to ISO 9001 standards.

Quarter turn handle.

Complies to PED 2014/68/EU.

Features & Benefits

The 800 Series Ball Valve is a FULL FLOW, Anti Blowout stem, all stainless steel certified bar stock, two-piece, serviceable valve.

Service kits are readily available & easy to install.

CNC machining allows tighter tolerances to be maintained, which extends the working life of the components.



800 Series Ball Valves - 550 Bar

BSP Product Specification

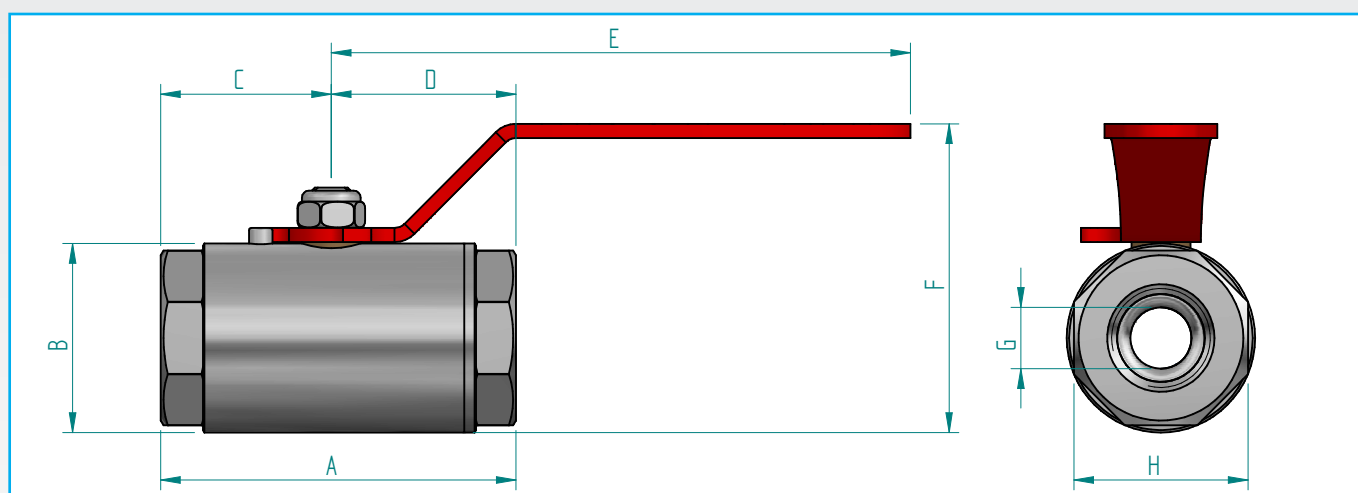
Part Code	Mass lb (kg)	Min. Operating Pressure bar (psi) *	Max. Operating Pressure bar (psi) **	Min. Temp. °F (°C)	Max Temp. °F (°C)	Cycles Before Rekit [^]	Stem Open Torque ft-lb (Nm) ^{^^}	Cv	Service Kit
BV804-6B6HCDN-1000	1.3 (0.6)	6.9 (100)	550 (8000)	-40 (-40)	149 (65)	2000	16	12.3	BV804-SKHCDN

* Minimum system pressure the product will hold constant bubble tight seal.

** Maximum pressure at which the product can constantly operate at.

[^] It is recommended that the ball valve is re-kitted on or before the maximum number of allowable cycles.

^{^^} Opening torque at 8,000 psi



BSP Dimensions Inch (mm)

Part Code	Size	A	Ø B	C	D	E	F	Ø G	H (A/F)	Port Thread
BV804-6B6HCDN-1000	1/2"	2.97 (75.5)	1.57 (40)	1.43 (36.2)	1.54 (39.2)	4.84 (123)	2.56 (65)	0.5 (13)	1.46 (37)	1/2" BSPP



800 Series Ball Valves - 550 Bar

NPT Product Specification

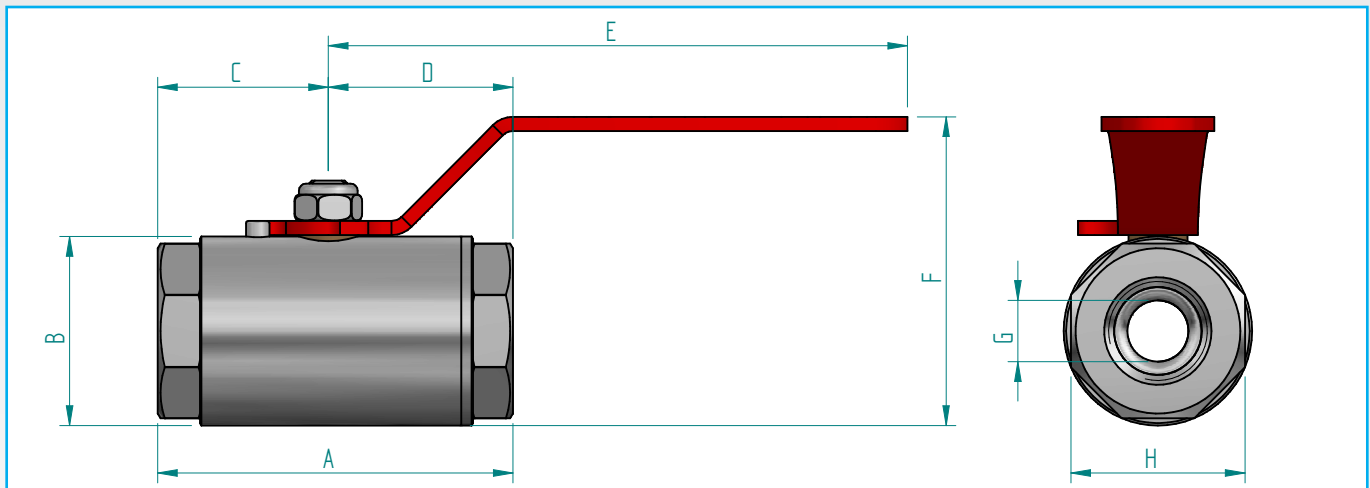
Part Code	Mass lb (kg)	Min. Operating Pressure bar (psi) *	Max. Operating Pressure bar (psi) **	Min. Temp. °F (°C)	Max Temp. °F (°C)	Cycles Before Rekit [^]	Stem Open Torque ft-lb (Nm) ^{^^}	Cv	Service Kit
BV804-6N6HCDN-1000	1.3 (0.6)	6.9 (100)	550 (8000)	-40 (-40)	149 (65)	2000	16	12.3	BV804-SKHCDN

* Minimum system pressure the product will hold constant bubble tight seal.

** Maximum pressure at which the product can constantly operate at.

[^] It is recommended that the ball valve is re-kitted on or before the maximum number of allowable cycles.

^{^^} Opening torque at 8,000 psi



NPT Dimensions Inch (mm)

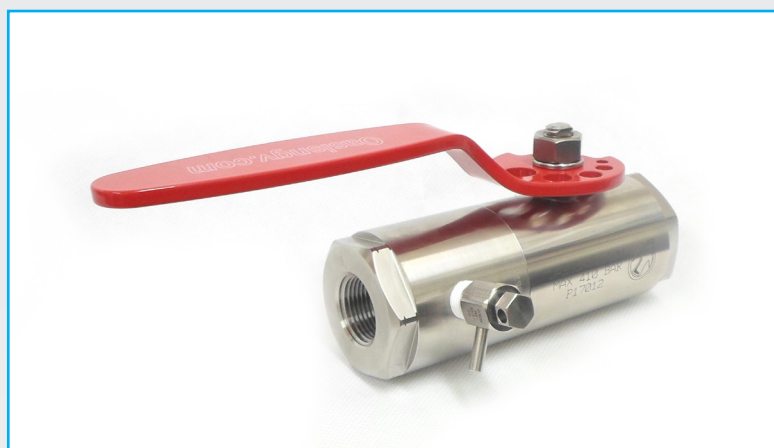
Part Code	Size	A	Ø B	C	D	E	F	Ø G	H (A/F)	Port Thread
BV804-6N6HCDN-1000	1/2"	2.97 (75.5)	1.57 (40)	1.43 (36.2)	1.54 (39.2)	4.84 (123)	2.56 (65)	0.5 (13)	1.46 (37)	1/2" NPT



700 Series Ball Valves - With Vent

Applications

CNG Compressors, Dispensers, Priority Panels, Isolation Valves and storage. Allows venting of down stream gas for servicing. Suitable for use with CNG, Helium, Bio-Gas, Nitrogen, Air and other gases on enquiry.



BV706-4E6LDDN-1000 - 3/4" Ball Valve With Vent Valve

Materials

Item	Part	Material
1	Body	304 Stainless steel
2	Cap	304 Stainless steel
3	Stem	316 Stainless steel
4	Ball	316 Stainless steel
5	Seats	Delrin

Item	Part	Material
6	Seat O-rings	Nitrile
7	Gland & Thrust	Delrin
8	Body O-rings	Nitrile
9	Stem O-rings	Nitrile
10	Handle	304 Stainless Steel

Product Information

Custom handle options available on request.

NPT and SAE threaded ports available from stock. Other thread types available upon request.

NPT threads conform to ASME B1.20.1.

SAE threads conform to SAE J1926-1.

Complies to PED 2014/68/EU.

CRN (OC12117.2C) approved for all provinces.

May be suitable for other gases not listed above.

Vent as pictured optional.

Vent port supplied in position shown only.

All products are manufactured to ISO 9001 standards.

Video servicing instructions available online at www.OasisNGV.com/resources.

Features & Benefits

The 700 Series Ball Valve is a FULL FLOW, Anti Blowout stem, all stainless steel certified bar stock, two-piece, serviceable valve.

Service kits are readily available & easy to install.

CNC machining allows tighter tolerances to be maintained, which extends the working life of the components.

The complete Oasis range has been cycle tested to ensure LOWEST LIFE COST.

Allows downstream venting for maintenance, such as PRD servicing.



700 Series Ball Valves - With Vent

NPT Product Specification

Part Code	Mass lb (kg)	Min. Operating Pressure bar (psi) *	Max. Operating Pressure bar (psi) **	Min. Temp. °F (°C)	Max Temp. °F (°C)	Cycles Before Rekit [^]	Stem Open Torque ft-lb (Nm) ^{^^}	Cv	Service Kit
BV706-4E6LDDN-1000	5.5 (2.5)	0.5 (7)	410 (6000)	-40 (-40)	185 (85)	100,000	22.8 (31)	31	BV706-SK6LDDN
BV706-4K6LDDN-1000	5.5 (2.5)	0.5 (7)	410 (6000)	-40 (-40)	185 (85)	100,000	22.8 (31)	31	BV706-SK6LDDN
BV708-4E6LDDN-1000	8.1 (3.7)	0.5 (7)	410 (6000)	-40 (-40)	185 (85)	100,000	32.4 (44)	44.5	BV708-SK6LDDN
BV708-4K6LDDN-1000	8.1 (3.7)	0.5 (7)	410 (6000)	-40 (-40)	185 (85)	100,000	32.4 (44)	44.5	BV708-SK6LDDN

* Minimum system pressure the product will hold constant bubble tight seal.

** Maximum pressure at which the product can constantly operate at.

[^] It is recommended that the ball valve is re-kitted on or before the maximum number of allowable cycles.

^{^^} Opening torque at 6,000 psi

SAE Product Specification

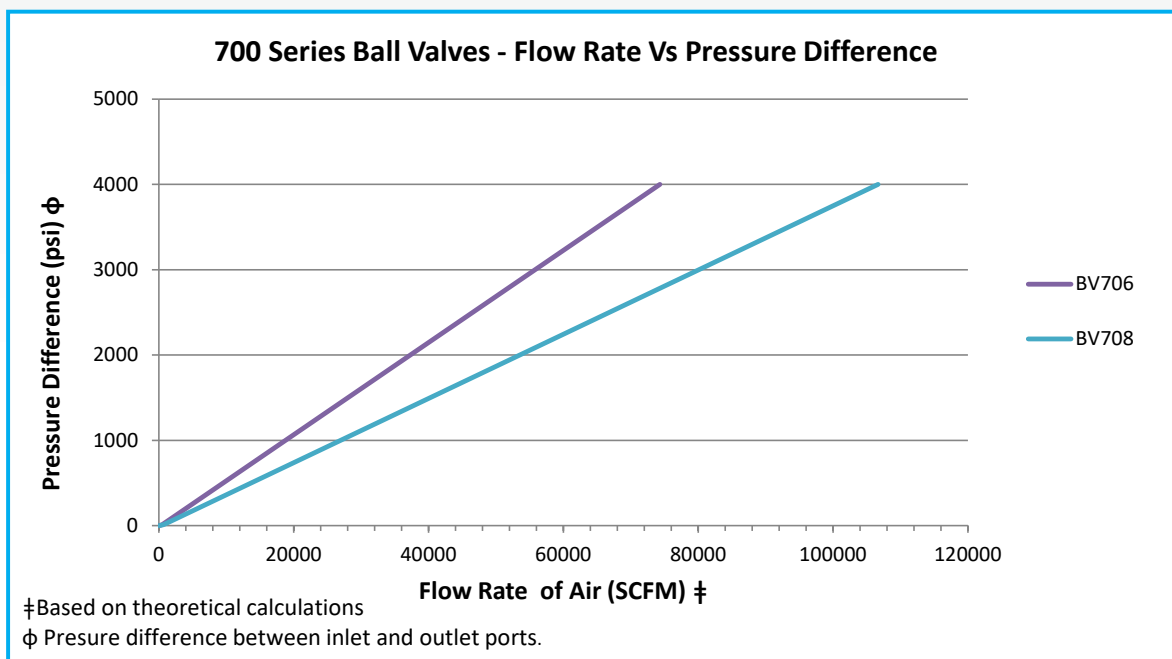
Part Code	Mass lb (kg)	Min. Operating Pressure bar (psi) *	Max. Operating Pressure bar (psi) **	Min. Temp. °F (°C)	Max Temp. °F (°C)	Cycles Before Rekit [^]	Stem Open Torque ft-lb (Nm) ^{^^}	Cv	Service Kit
BV706-4I6LDDN-1000	5.5 (2.5)	0.5 (7)	410 (6000)	-40 (-40)	185 (85)	100,000	22.8 (31)	31	BV706-SK6LDDN-S
BV706-4Q6LDDN-1000	5.5 (2.5)	0.5 (7)	410 (6000)	-40 (-40)	185 (85)	100,000	22.8 (31)	31	BV706-SK6LDDN-S
BV708-4I6LDDN-1000	8.1 (3.7)	0.5 (7)	410 (6000)	-40 (-40)	185 (85)	100,000	32.4 (44)	44.5	BV708-SK6LDDN-S
BV708-4Q6LDDN-1000	8.1 (3.7)	0.5 (7)	410 (6000)	-40 (-40)	185 (85)	100,000	32.4 (44)	44.5	BV708-SK6LDDN-S

* Minimum system pressure the product will hold constant bubble tight seal.

** Maximum pressure at which the product can constantly operate at.

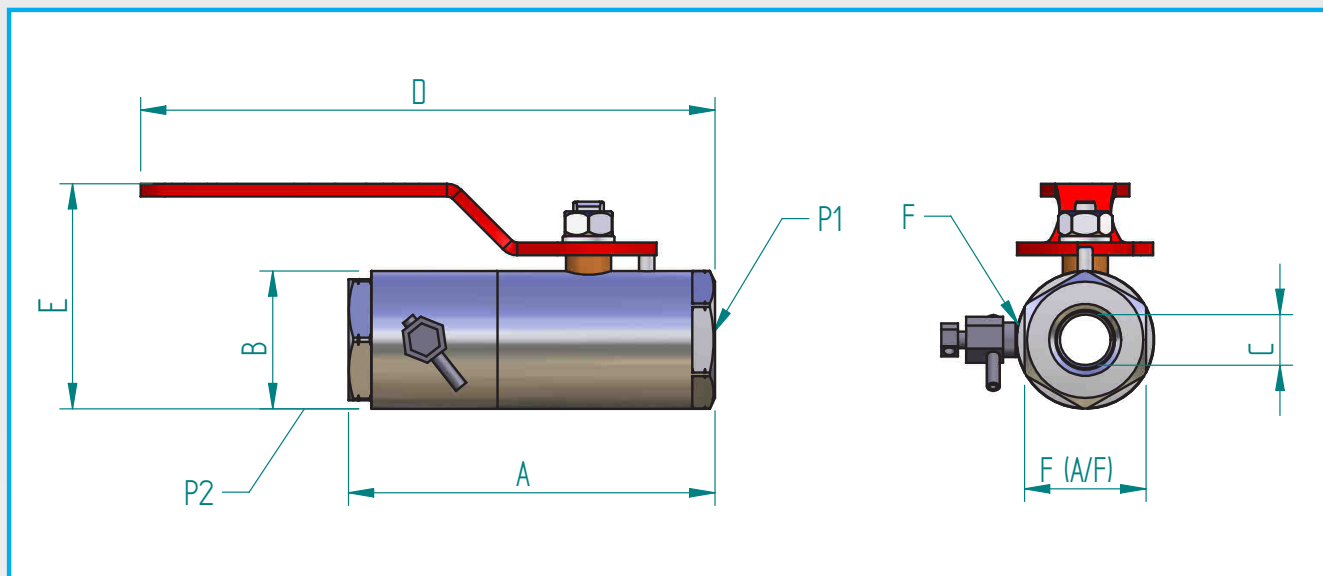
[^] It is recommended that the ball valve is re-kitted on or before the maximum number of allowable cycles.

^{^^} Opening torque at 6,000 psi





700 Series Ball Valves - With Vent



NPT Dimensions Inch (mm)

Part Code	Size	A	B	Ø C	D	E	F	Ports P1 & P2	F (A/F)
BV706-4E6LDDN-1000	3/4"	5.7" (145)	2.16" (55)	.78"(20)	8.94" (227)	3.5" (89)	Vent Valve	3/4" NPT Female	1.9" (48)
BV706-4K6LDDN-1000	3/4"	5.7" (145)	2.16" (55)	.78"(20)	8.94" (227)	3.5" (89)	1/4" FNPT	3/4" NPT Female	1.9" (48)
BV708-4E6LDDN-1000	1"	5.67" (144)	2.72" (69)	1.02"(26)	9.13" (232)	4.02" (102)	Vent Valve	1" NPT Female	2.36" (60)
BV708-4K6LDDN-1000	1"	5.67" (144)	2.72" (69)	1.02"(26)	9.13" (232)	4.02" (102)	1/4" FNPT	1" NPT Female	2.36" (60)

SAE Dimensions Inch (mm)

Part Code	Size	A	B	Ø C	D	E	F	Ports P1 & P2	F (A/F)
BV706-4I6LDDN-1000	3/4"	5.7" (145)	2.16" (55)	.78"(20)	8.94" (227)	3.5" (89)	Vent Valve	1 1/16"-12 SAE Female	1.9" (48)
BV706-4Q6LDDN-1000	3/4"	5.7" (145)	2.16" (55)	.78"(20)	8.94" (227)	3.5" (89)	1/4" FNPT	1 1/16"-12 SAE Female	1.9" (48)
BV708-4I6LDDN-1000	1"	5.67" (144)	2.72" (69)	1.02"(26)	9.13" (232)	4.02" (102)	Vent Valve	1 5/16"-12 SAE Female	2.36" (60)
BV708-4Q6LDDN-1000	1"	5.67" (144)	2.72" (69)	1.02"(26)	9.13" (232)	4.02" (102)	1/4" FNPT	1 5/16"-12 SAE Female	2.36" (60)



700 Series Ball Valves - Panel Mount

Applications

CNG Compressors, Dispensers, Priority Panels, Isolation Valves, CNG storage.

Suitable for use with CNG, Helium, Bio-Gas, Nitrogen, Air and other gases on enquiry.



BV706-4S6LDDN-M4A0 - 3/4" Ball Valve Panel Mount

Materials

Item	Part	Material
1	Body	304 Stainless steel
2	Cap	304 Stainless steel
3	Stem	316 Stainless steel
4	Ball	316 Stainless steel
5	Seats	Delrin

Item	Part	Material
6	Gland & Thrust	Delrin
7	Body O-rings	Nitrile
8	Stem O-rings	Nitrile
9	Seat O-rings	Nitrile
9	Handle	304 Stainless Steel
10	Bracket & Bolts	304 Stainless Steel

Product Information

Custom handle options available on request.

NPT/SAE threaded ports available from stock. Other thread types available upon request.

NPT threads conform to ASME B1.20.1.

SAE threads conform to SAE J1926-1.

All products are manufactured to ISO 9001 standards.

Complies to PED 2014/68/EU.

CRN (OC12117.2C) approved for all provinces.

Video servicing instructions available online at www.OasisNGV.com/resources.

Features & Benefits

The 700 Series Ball Valve is a FULL FLOW, Anti Blowout stem, all stainless steel certified bar stock, two-piece, serviceable valve.

Service kits are readily available & easy to install.

CNC machining allows tighter tolerances to be maintained, which extends the working life of the components.

The complete Oasis range has been cycle tested to ensure LOWEST LIFE COST.



700 Series Ball Valves - Panel Mount

Product Specification

Part Code	Mass lb (kg)	Min. Operating Pressure bar (psi) *	Max. Operating Pressure bar (psi) **	Min. Temp. °F (°C)	Max Temp. °F (°C)	Cycles Before Rekit [^]	Stem Open Torque ft-lb (Nm) ^{^^}	Cv	Service Kit
BV706-4S6LDDN-M4A0	6.3 (2.9)	0.5 (7)	410 (6000)	-40 (-40)	185 (85)	100,000	22.8 (31)	31	BV706-SK6LDDN-PM1-S
BV706-4N6LDDN-M4A0	6.3 (2.9)	0.5 (7)	410 (6000)	-40 (-40)	185 (85)	100,000	22.8 (31)	31	BV706-SK6LDDN-PM1

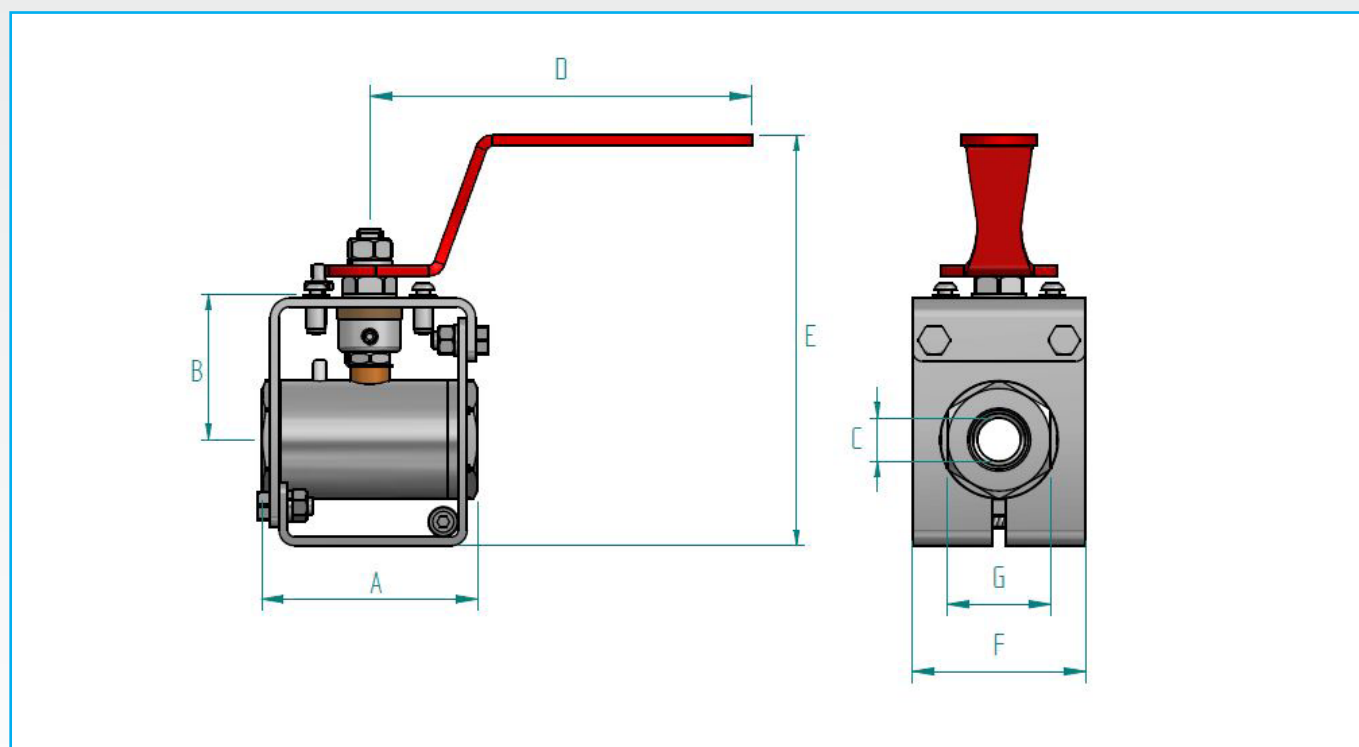
* Minimum system pressure the product will hold constant bubble tight seal.

** Maximum pressure at which the product can constantly operate at.

[^] It is recommended that the ball valve is re-kitted on or before the maximum number of allowable cycles.

^{^^} Opening torque at 6,000 psi

Dimensions Inch (mm)



Part Code	Size	A	B	Ø C	D	E	F	Port Thread	G (A/F)
BV706-4S6LDDN-M4A0	3/4"	3.9 (100)	2.64 (67)	.78 (20)	6.9 (177)	7.48 (190)	3.15 (80)	1 1/16-12 SAE FEMALE	1.9 (48)
BV706-4N6LDDN-M4A0	3/4"	3.9 (100)	2.64 (67)	.78 (20)	6.9 (177)	7.48 (190)	3.15 (80)	3/4-14 NPT FEMALE	1.9 (48)



700 Series Ready-to-Mount Valve

Applications

Dispenser Control Valves, Compressor blow down, Safety Isolation, Trailers, Priority Panels.



BV704 with Drive Dog & Actuator Mounting Bracket

Materials

Item	Part	Material
1	Ball Valve	As per valve specification
2	Bracket	304 Stainless steel
3	Drive Dog	303 Stainless steel
4	Clamping Bolts	304 Stainless steel
5	Spring Washers	304 Stainless steel
6	Screws	304 Stainless steel

Bracket Bolt Patterns

ISO BOLT PATTERNS AS PER ISO 5211	
F03	4x M5 on 36PCD
F04	4x M5 on 42PCD
F05	4x M6 on 50PCD
F07	4x M8 on 70PCD

Product Information

Custom drive dogs available on request.

3/4" valve tested to NGV4.6 option available on request.

Complies to PED 2014/68/EU.

CRN (OC12117.2C) approved for all provinces.

For product specifications refer to the 700 Series Ball Valve specification sheet.

More product information available online at www.OasisNGV.com/resources.

Features & Benefits

Rigid light-weight 304 Stainless steel mounting bracket.

Floating drive dog for vibration dampening - extending life of stem.

Mounting hole pattern suits ISO bolt patterns.

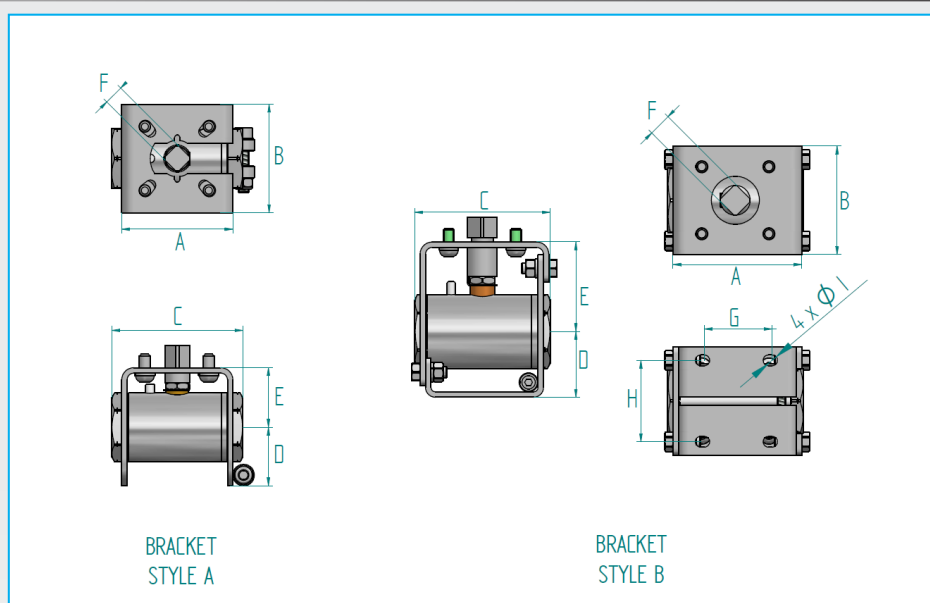
All stainless steel for durability and corrosion resistance

Accurate alignment between actuator and valve resulting in minimal stem wear.

Practical, simple assembly and servicing using standard Ball Valve Service Kit, allows field servicing with a reduced spare parts inventory.



700 Series Ready-to-Mount Valve



NPT Dimensions inch (mm)

Part	Bracket Style	A	B	C	D	E	F Drive Dog Size	Female Port Thread	G	H	Ø I	Stem Open Torque ft-lb (Nm)*	Actuator Bolt Pattern
BV702-4N6SDDN-0120	A	1.85 (47)	2.28 (58)	1.97 (50)	1.18 (30)	1.12 (28.5)	0.43 (11)	1/4" NPT	N/A	N/A	N/A	1.1 (1.5)	F03/F04
BV703-4N6SDDN-0120	A	2.09 (53)	2.56 (65)	2.32 (59)	1.10 (28)	1.20 (30.5)	0.43 (11)	3/8" NPT	N/A	N/A	N/A	2.2 (3)	F04/F05
BV704-4N6LDDN-0120	A	2.40 (61)	2.36 (60)	2.85 (72.5)	1.30 (33)	1.30 (33)	0.43 (11)	1/2" NPT	N/A	N/A	N/A	10.3 (14)	F04/F05
BV704-4N6LDDN-0130	A	2.40 (61)	2.36 (60)	2.85 (72.5)	1.30 (33)	1.30 (33)	0.55 (14)	1/2" NPT	N/A	N/A	N/A	10.3 (14)	F04/F05
BV706-4N6LDDN-0140	B	3.82 (97)	3.15 (80)	3.94 (100)	1.93 (49)	2.60 (66)	0.67 (17)	3/4" NPT	1.97 (50)	2.36 (60)	0.31 (8)	22.8 (31)	F07
BV708-4N6LDDN-0140	B	3.82 (97)	3.94 (100)	4.25 (108)	2.17 (55)	2.80 (71)	0.67 (17)	1" NPT	1.97 (50)	3.15 (80)	0.31 (8)	32.4 (44)	F07

* Opening torque at 6,000 psi

SAE Dimensions inch (mm)

Part	Bracket Style	A	B	C	D	E	F Drive Dog Size	Female Port Thread	G	H	Ø I	Stem Open Torque ft-lb (Nm)*	Actuator Bolt Pattern
BV704-4S6LDDN-0120	A	2.40 (61)	2.36 (60)	2.85 (72.5)	1.30 (33)	1.30 (33)	0.43 (11)	3/4-16 SAE	N/A	N/A	N/A	10.3 (14)	F04/F05
BV704-4S6LDDN-0130	A	2.40 (61)	2.36 (60)	2.85 (72.5)	1.30 (33)	1.30 (33)	0.55 (14)	3/4-16 SAE	N/A	N/A	N/A	10.3 (14)	F04/F05
BV706-4S6LDDN-0140	B	3.82 (97)	3.15 (80)	3.94 (100)	1.93 (49)	2.60 (66)	0.67 (17)	1 1/16-12 SAE	1.97 (50)	2.36 (60)	0.31 (8)	22.8 (31)	F07
BV708-4S6LDDN-0140	B	3.82 (97)	3.94 (100)	4.25 (108)	2.17 (55)	2.80 (71)	0.67 (17)	1 5/16-12 SAE	1.97 (50)	3.15 (80)	0.31 (8)	32.4 (44)	F07

* Opening torque at 6,000 psi

We reserve the right to modify product specifications without prior notice.



700 Series Air Torque Actuated Ball Valves

Applications

Remote ball valve actuation applications such as; Compressor Blow-down, Dispenser sequencing, Isolation, Priority Panels, Storage, Mobile Storage & Transport Trailers. Suitable for CNG, Helium, Bio-Gas, Nitrogen, Air and other gases on enquiry.



BV704 with Air Torque AT101

Materials

Part Code	Description	Material
BV700 series	Ball Valves	As per product specification
AT	Air Torque	As per manufacturers specification
BVAC	Actuator Mount Bracket, Drive Dog and Bolts	304 Stainless Steel

Product Information

Full range of valves available from 1/4" to 1".

3/4" valve tested to NGV4.6 option available on request.

NPT or SAE female thread is standard configuration. Other threads available upon request.

NPT threads conform to ASME B1.20.1.

SAE threads conform to SAE J1926-1.

Complies to PED 2014/68/EU.

CRN (OC12117.2C) approved for all provinces.

Separate part numbers for "Normally Open" and "Normally Closed" configurations.

All Oasis products are manufactured under ISO 9001 accredited standards.

Video servicing instructions available online at www.OasisNGV.com/resources.

Features & Benefits

Oasis provides actuated ball valves, factory fitted and tested for your convenience.

Featuring a floating drive dog, that dampens vibration - extending the life of the valve.

A carefully aligned, rigid bracket ensures minimal lateral torque.

Simple design, easy maintenance.

Economical on space.

Sturdy, rigid stainless steel construction.

Supplied with Air Torque (www.AirTorque.it) actuators.

Low Oasis valve opening torque means small actuators can be specified when compared to competitor valves.



700 Series Air Torque Actuated Ball Valves

NPT Product Specification

Part Code	Mass lb (kg)	Min. Operating Pressure bar (psi) *	Max. Operating Pressure bar (psi) **	Min. Temp. °F (°C)	Max Temp. °F (°C)	Actuator Supply Pressure bar (psi) ^	Actuator Air Supply Port Size	Stem Open Torque ft-lb (Nm)^^	Cv
BV702-4N6SDDN-0122 (N/C) BV702-4N6SDDN-012L (N/O)	3.3 (1.5)	34.5 (500)	410 (6000)	-40 (-40)	185 (85)	6-8 (87-116)	1/8" BSPP	1.1 (1.5)	4.5
BV703-4N6SDDN-0122 (N/C) BV703-4N6SDDN-012L (N/O)	3.5 (1.6)	34.5 (500)	410 (6000)	-40 (-40)	185 (85)	6-8 (87-116)	1/8" BSPP	2.2 (3)	9.3
BV704-4N6LDDN-0124 (N/C) BV704-4N6LDDN-012M (N/O)	5.1 (2.3)	0.5 (7)	410 (6000)	-40 (-40)	185 (85)	6-8 (87-116)	1/8" BSPP	10.3 (14)	12.3
BV706-4N6LDDN-0146 (N/C) BV706-4N6LDDN-014N (N/O)	12.5 (5.7)	0.5 (7)	410 (6000)	-40 (-40)	185 (85)	6-8 (87-116)	1/8" BSPP	22.8 (31)	31
BV708-4N6LDDN-0148 (N/C) BV708-4N6LDDN-014P (N/O)	18.7 (8.5)	0.5 (7)	410 (6000)	-40 (-40)	185 (85)	6-8 (87-116)	1/8" BSPP	32.4 (44)	44.5

SAE Product Specification

Part Code	Mass lb (kg)	Min. Operating Pressure bar (psi) *	Max. Operating Pressure bar (psi) **	Min. Temp. °F (°C)	Max Temp. °F (°C)	Actuator Supply Pressure bar (psi) ^	Actuator Air Supply Port Size	Stem Open Torque ft-lb (Nm)^^	Cv
BV704-4S6LDDN-0124 (N/C) BV704-4S6LDDN-012M (N/O)	5.1 (2.3)	0.5 (7)	410 (6000)	-40 (-40)	185 (85)	6-8 (87-116)	1/8" BSPP	10.3 (14)	12.3
BV706-4S6LDDN-0146 (N/C) BV706-4S6LDDN-014N (N/O)	12.5 (5.7)	0.5 (7)	410 (6000)	-40 (-40)	185 (85)	6-8 (87-116)	1/8" BSPP	22.8 (31)	31
BV708-4S6LDDN-0148 (N/C) BV708-4S6LDDN-014P (N/O)	18.7 (8.5)	0.5 (7)	410 (6000)	-40 (-40)	185 (85)	6-8 (87-116)	1/8" BSPP	32.4 (44)	44.5

(N/C) Normally Closed - Valve is in closed position when no pressure applied to actuator.

(N/O) Normally Open - Valve is in open position when no pressure applied to actuator.

* Minimum system pressure the product will hold constant bubble tight seal.

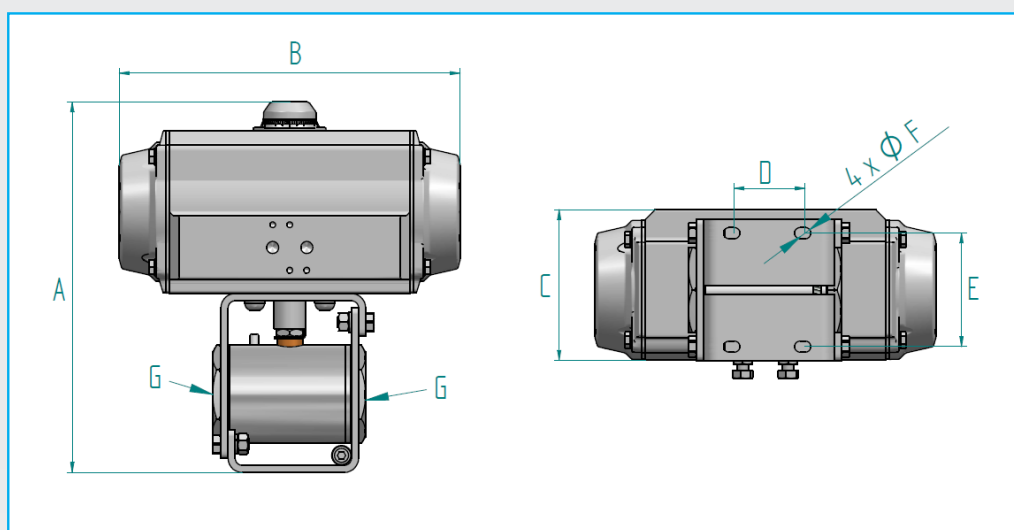
** Maximum pressure at which the product can constantly operate at.

^ Required actuator supply pressure to operate Air Torque Actuator.

^^ Opening Torque at 6,000 psi.



700 Series Air Torque Actuated Ball Valves



NPT Dimensions Inch (mm)

Part Code	Size	A	B	C	D	E	Ø F	(G) Port Thread	Actuator
BV702-4N6SDDN-0122 (N/C)	1/4"	5.78	5.55	2.79	N/A	N/A	N/A	1/4" NPT FEMALE	AT051
BV702-4N6SDDN-012L (N/O)		(147)	(141)	(71)					
BV703-4N6SDDN-0122 (N/C)	3/8"	5.78	5.55	2.79	N/A	N/A	N/A	3/8" NPT FEMALE	AT051
BV703-4N6SDDN-012L (N/O)		(147)	(141)	(71)					
BV704-4N6LDDN-0124 (N/C)	1/2"	6.7	6.26	3.26	N/A	N/A	N/A	1/2" NPT FEMALE	AT101
BV704-4N6LDDN-012M (N/O)		(170)	(159)	(83)					
BV706-4N6LDDN-0146 (N/C)	3/4"	9.33	8.3	3.74	1.97	2.36	0.32	3/4" NPT FEMALE	AT201
BV706-4N6LDDN-014N (N/O)		(237)	(211)	(95)	(50)	(60)	(8)		
BV708-4N6LDDN-0148 (N/C)	1"	10.27	9.7	4.17	1.97	3.15	0.32	1" NPT FEMALE	AT251
BV708-4N6LDDN-014P (N/O)		(261)	(248)	(106)	(50)	(80)	(8)		

SAE Dimensions Inch (mm)

Part Code	Size	A	B	C	D	E	Ø F	(G) Port Thread	Actuator
BV704-4S6LDDN-0124 (N/C)	1/2"	6.7	6.26	3.26	N/A	N/A	N/A	3/4-16 SAE FEMALE	AT101
BV704-4S6LDDN-012M (N/O)		(170)	(159)	(83)					
BV706-4S6LDDN-0146 (N/C)	3/4"	9.33	8.3	3.74	1.97	2.36	0.32	1 1/16 -12 SAE FEMALE	AT201
BV706-4S6LDDN-014N (N/O)		(237)	(211)	(95)	(50)	(60)	(8)		
BV708-4S6LDDN-0148 (N/C)	1"	10.27	9.7	4.17	1.97	3.15	0.32	1 5/16 -12 SAE FEMALE	AT251
BV708-4S6LDDN-014P (N/O)		(261)	(248)	(106)	(50)	(80)	(8)		

(N/C) Normally Closed - Valve is in closed position when no pressure applied to actuator.

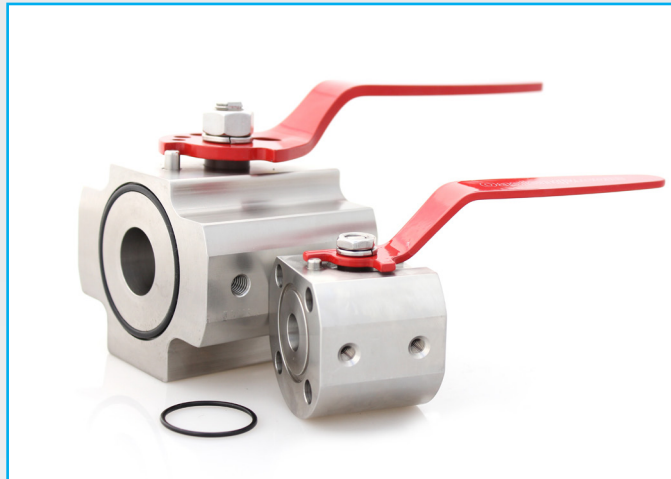
(N/O) Normally Open - Valve is in open position when no pressure applied to actuator.



100 Series Sandwich Valve with Handle

Applications

Dispenser Manifolds, Priority Panels, Emergency Isolation and applications where easy service is required. Suitable for CNG, Helium, Bio-Gas, Nitrogen, Air and other gases on request.



SV108 /SV104 - Sandwich Valves

Materials

Item	Description	Material
1	Valve Body	304 Stainless Steel
2	Valve Cap	304 Stainless Steel
3	Seat	Delrin
4	Ball	316 Stainless Steel
5	Stem	316 Stainless Steel
6	Thrust	Delrin

Item	Description	Material
7	O-rings	Nitrile
8	O-ring Backup	Nitrile
9	Gland	Delrin
10	Locking Tab	304 Stainless Steel
11	Half Nut	304 Stainless Steel
12	Sealing Surface O-ring	Nitrile

Product Information

Standard valve includes actuator mounting bracket and drive dog.

Service kits are easily installed and readily available.

All products are manufactured under ISO 9001:2008 accredited standards.

Custom handle options available on request.

3/4" valve tested to NGV 4.6 option available on request.

CRN OC 19297.512346789OYTN.

Complies to PED 2014/68/EU.

More product information available online at www.OasisNGV.com/resources.

Features & Benefits

Designed for manifold or valve applications where minimizing service down time is critical.

Bolt-in, quick change design which fits into a manifold or uses end caps for your flow control requirements.

Using the proven Oasis floating ball technology the sandwich valve cycles for longer than any other known CNG ball valve.

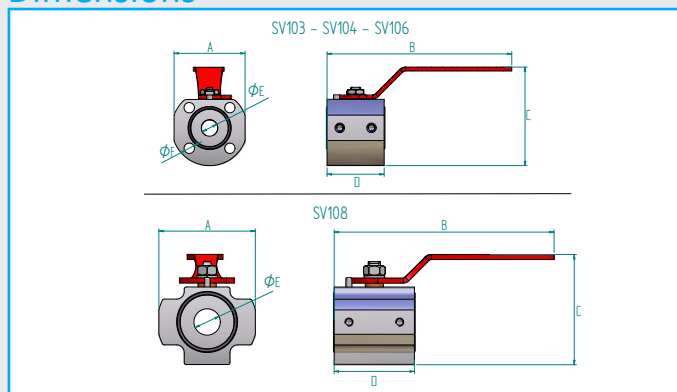
Oasis can create manifolds to your specifications. Talk to Oasis, Engineer to Engineer to craft a solution for you.

Actuated options also available.



100 Series Sandwich Valve with Handle

Dimensions



Dimensions (mm)

Part Code	Size	A	B	C	D	Ø E	Ø F
SV103-4O6SDDN-1000	3/8"	50	143	74	39	10	9
SV104-4O06LDDN-1000	1/2"	56	146	78	45	13	8.2
SV106-4O06LDDN-1000	3/4"	77	211	103	67	20	12.5
SV108-4O06LDDN-1000	1"	95	217	109	79	26	N/A

Product Specifications

Part Code	Mass lb (kg)	Min. Operating Pressure bar (psi)*	Max. Operation Pressure bar (psi)**	Min. Temp. °F (°C)	Max Temp. °F (°C)	Stem Open Torque ft-lb Nm	Cycles Before Rekit ^	Cv	Service Kit ^^
SV103-4O6SDDN-1000	1.3 (0.6)	34.5 (500)	(410) 6000	-40 (-40)	185 (85)	2.2 (3)	100,000	9.3	SV103-SK6SDDN
SV104-4O06LDDN-1000	1.7 (0.8)	0.5 (7)	(410) 6000	-40 (-40)	185 (85)	10.3 (14)	100,000	12.3	SV104-SK6LDDN
SV106-4O06LDDN-1000	6.2 (2.8)	0.5 (7)	(410) 6000	-40 (-40)	185 (85)	22.8 (31)	100,000	31	SV106-SK6LDDN
SV108-4O06LDDN-1000	7.7 (3.5)	0.5 (7)	(410) 6000	-40 (-40)	185 (85)	32.4 (44)	100,000	44.5	SV108-SK6LDDN

* Minimum system pressure the product will hold constant bubble tight seal.

** Maximum pressure at which the product can constantly operate at.

^ It is recommended that the sandwich valve is re-kitted on or before the maximum number of allowable cycles.

^^ Delrin / Nitrile service kit

Service Tool

Tool required to complete servicing of sandwich valve. Designed to fit in a 3/4" or 1" socket for easy removal and installation.

Product Information

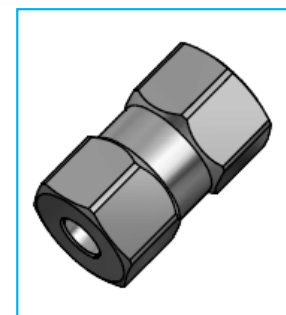
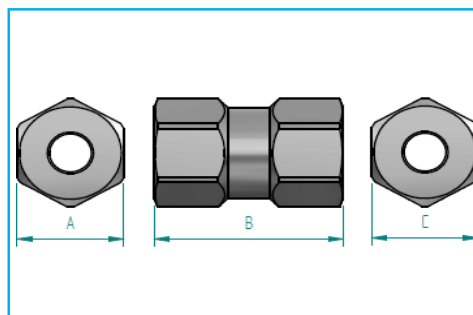
Made from 316 Stainless Steel.

Sold Separately.

Tightening torque stamped on body.

Dimensions: Imperial (mm)

Part Code	A AF	B	C AF
TOOL-SV106	.79" (19.9)	1.57" (40)	.75" (19)
TOOL-SV108	1" (25.4)	1.77" (45)	1" (25.4)





100 Series Sandwich Valve w/AirTorque Actuator

Applications

Dispenser Manifolds, Priority Panels, Emergency Isolation and applications where easy service is required. Suitable for CNG, Helium, Bio-Gas, Nitrogen, Air and other gases on request.



SV104-406SDDN-0124 - 1/2 " Sandwich Valve w/AT101 Actuator

Materials

Item	Description	Material
1	Valve Body	304 Stainless Steel
2	Valve Cap	304 Stainless Steel
3	Seat	Delrin
4	Ball	316 Stainless Steel
5	Stem	316 Stainless Steel
6	Thrust	Delrin

Item	Description	Material
7	O-rings	Nitrile
8	O-ring Backup	Nitrile
9	Gland	Delrin
10	Locking Tab	304 Stainless Steel
11	Half Nut	304 Stainless Steel
12	Sealing Surface O-ring	Nitrile

Product Information

Service kits are easily installed and readily available. All products are manufactured under ISO 9001:2008 accredited standards.

Mounting brackets and drive dogs designed to meet standard ISO 5211 pattern, allowing user multiple actuation options.

Separate part numbers for "Normally Open" and "Normally Closed" configurations.

Handle options available on request.

3/4" valve tested to NGV 4.6 option available on request.

CRN OC 19297.512346789OYTN.

Complies to PED 2014/68/EU.

More product information available online at www.OasisNGV.com/resources.

Features & Benefits

Designed for manifold or valve applications where minimizing service down time is critical.

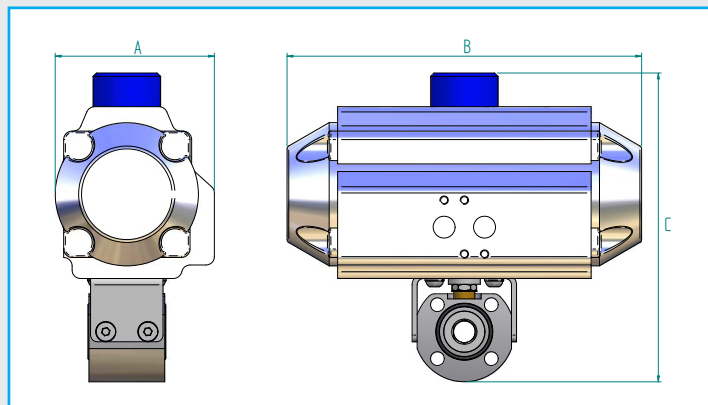
Bolt-in, quick change design which fits into a manifold or uses end caps for your flow control requirements.

Using the proven Oasis floating ball technology the sandwich valve cycles for longer than any other known CNG ball valve.

Oasis can create manifolds to your specifications. Talk to Oasis Engineer to Engineer to craft a solution for you.



100 Series Sandwich Valve w/AirTorque Actuator



Dimensions inch (mm)

Part Code	Size	A	B	C	Actuator
SV103-4O6SDDN-0122 (N/C) SV103-4O6SDDN-012L (N/O)	3/8"	2.78 (70.5)	5.87 (149)	5.87 (149)	AT051
SV104-4OO6LDDN-0124 (N/C) SV104-4OO6LDDN-012M (N/O)	1/2"	3.27 (83)	6.26 (159)	6.65 (169)	AT101
SV106-4OO6LDDN-0146 (N/C) SV106-4OO6LDDN-014N (N/O)	3/4"	3.74 (95)	8.31 (211)	9.01 (229)	AT201
SV108-4OO6LDDN-0148 (N/C) SV108-4OO6LDDN-014P (N/O)	1"	4.17 (106)	9.76 (248)	9.80 (249)	AT251

Product Specifications

Part Code	Mass lb (kg)	Min. Operating Pressure bar (psi) *	Max. Operating Pressure bar (psi) **	Min. Temp. °F (°C)	Max. Temp. °F (°C)	Max. Cycles Before Rekit ^	Actuator Supply Pressure bar (psi) ^^	Cv
SV103-4O6SDDN-0122 (N/C) SV103-4O6SDDN-012L (N/O)	5 (2.3)	34.5 (500)	410 (6000)	-40 (-40)	185 (85)	100,000	6-8 (87-116)	9.3
SV104-4OO6LDDN-0124 (N/C) SV104-4OO6LDDN-012M (N/O)	8.8 (4)	0.5 (7)	410 (6000)	-40 (-40)	185 (85)	120,000	6-8 (87-116)	12.3
SV106-4OO6LDDN-0146 (N/C) SV106-4OO6LDDN-014N (N/O)	15.7 (7.1)	0.5 (7)	410 (6000)	-40 (-40)	185 (85)	150,000	6-8 (87-116)	31
SV108-4OO6LDDN-0148 (N/C) SV108-4OOSLDDN-014P (N/O)	21.4 (9.7)	0.5 (7)	410 (6000)	-40 (-40)	185 (85)	150,000	6-8 (87-116)	44.5

(N/C) Normally Closed - Valve is in closed position when no pressure applied to actuator.

(N/O) Normally Open - Valve is in open position when no pressure applied to actuator.

* Minimum system pressure the product will hold constant bubble tight seal.

** Maximum pressure at which the product can constantly operate at.

^ It is recommended that the sandwich valve is re-kitted on or before the maximum number of allowable cycles.

^^ Required actuator supply pressure to operate Air Torque actuator.



100 Series Sandwich Valve w/AirTorque Actuator

Service Tool

Tool required to complete servicing of sandwich valve. Designed to fit in a 3/4" or 1" socket for easy removal and installation.

Product Information

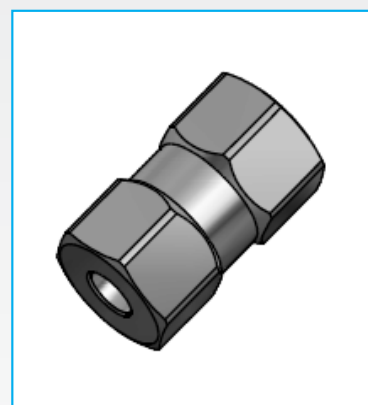
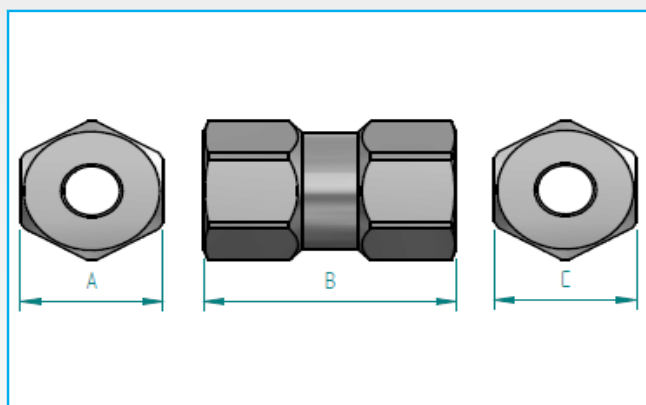
Made from 316 Stainless Steel.

Sold Separately.

Tightening torque stamped on body.

Dimensions: Imperial (mm)

Part Code	A AF	B	C AF
TOOL-SV106	.79" (19.9)	1.57" (40)	.75" (19)
TOOL-SV108	1" (25.4)	1.77" (45)	1" (25.4)





100 Series Cylinder Valve TH104 - NGV3.1:2014

Applications

Suitable for CNG, Hydrogen, Helium, Bio-Gas and Air.

Bulk gas trailers (cylinders or spheres).

Bulk gas cylinder storage stacks.

Gas vehicle cylinder stacks.

Fast fill cylinder stacks.

Product Information

All products are manufactured to ISO 9001 standards.

SAE threads conform to SAE J1926-1.

Product tested to ANSI NGV 3.1:2014 - CSA 12.3-2014.

Complies to PED 2014/68/EU.

Quarter turn handle.

Can be manufactured to your specifications, contact us for details.

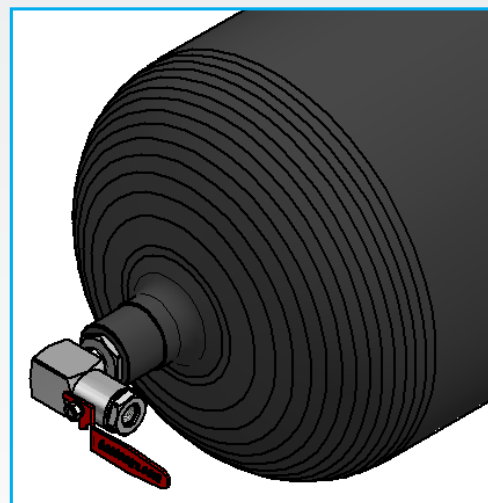
Other end cap and cylinder fitting options available.

Includes a live PRD port, PRD not included.

More product information available online at oasisngv.com/resources.



TH104 - 1/2" Cylinder Valve



Fitted Cylinder Valve

Materials

Part	Material
Body/Cap	304 Stainless steel
Handle	304 Stainless Steel
Ball and Stem	316 Stainless steel
O-rings	Nitrile
Seats and Glands	Delrin

Product Specification

Part Code	Size	Mass lb (kg)	Min. Operating Pressure psi (bar) *	Max. Operating Pressure bar (psi) **	Min. Temp. °F (°C)	Max. Temp. °F (°C)	Service ^	Stem Open Torque ft-lb (Nm) ^^	Cv	Service Kit #
TH104-42B1210	1/2"	2.4 (1.1)	90 (6.2)	410 (6000)	-40 (-40)	185 (85)	5 Years	3.3 (4.5)	6.7	TH104-SK2

* Minimum pressure that the product will hold constant bubble tight seal.

** Maximum pressure at which the product can continuously operate at.

^ Although unnecessary, it is recommended best practice to re-kit the valves during routine cylinder inspection which is typically every 5 years.

^^ Opening torque at 6,000 psi.

Use TH104-SK2 for TH104-42B1210 only. For obsolete TH104 valves use TH104-SK1 service kit, if unsure please contact Oasis.



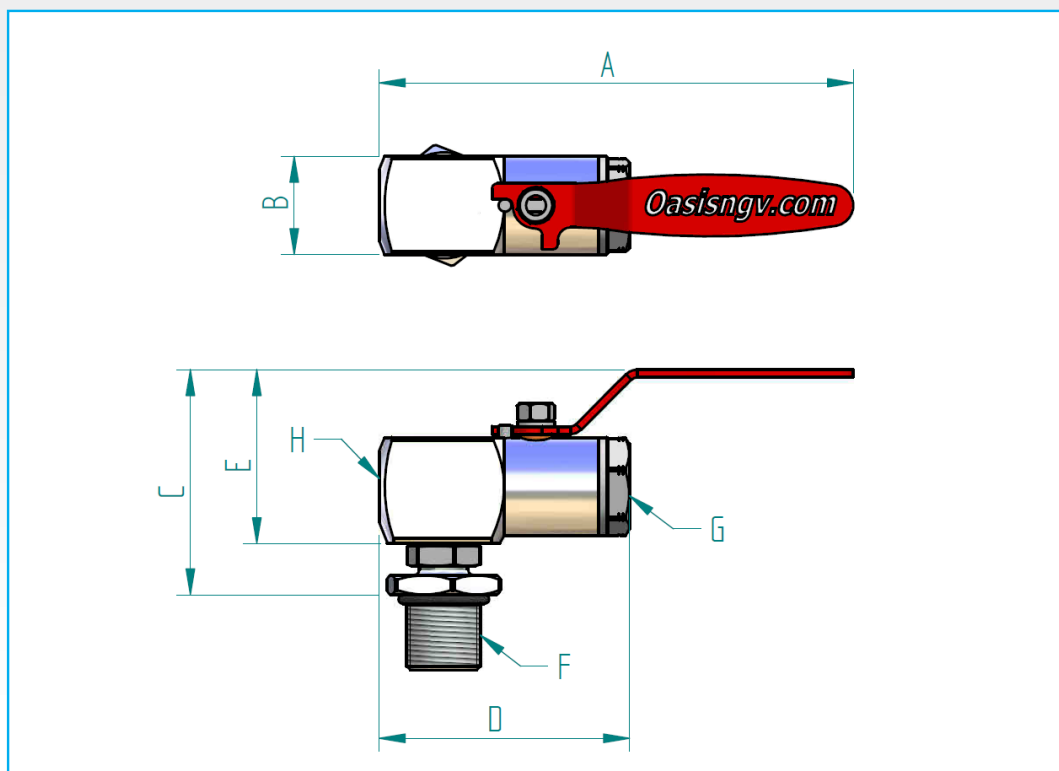
100 Series Cylinder Valve TH104 - NGV3.1:2014

Dimensions: Imperial (Metric mm)

Part Code	A	B	C	D	E
TH104-42B1210-1000	7.24" (184)	1.49" (38)	3.43" (87)	3.86" (97)	2.64" (67)

Part Code	F (CYLINDER) MALE THREAD	G (END CAP) FEMALE THREAD	H	PRD TYPE
TH104-42B1210-1000	1 1/8-12 UNF	3/4-16 SAE	PRD PORT 9/16-18 SAE FEMALE THREAD	CUSTOMER SUPPLIED REMOTE PRD

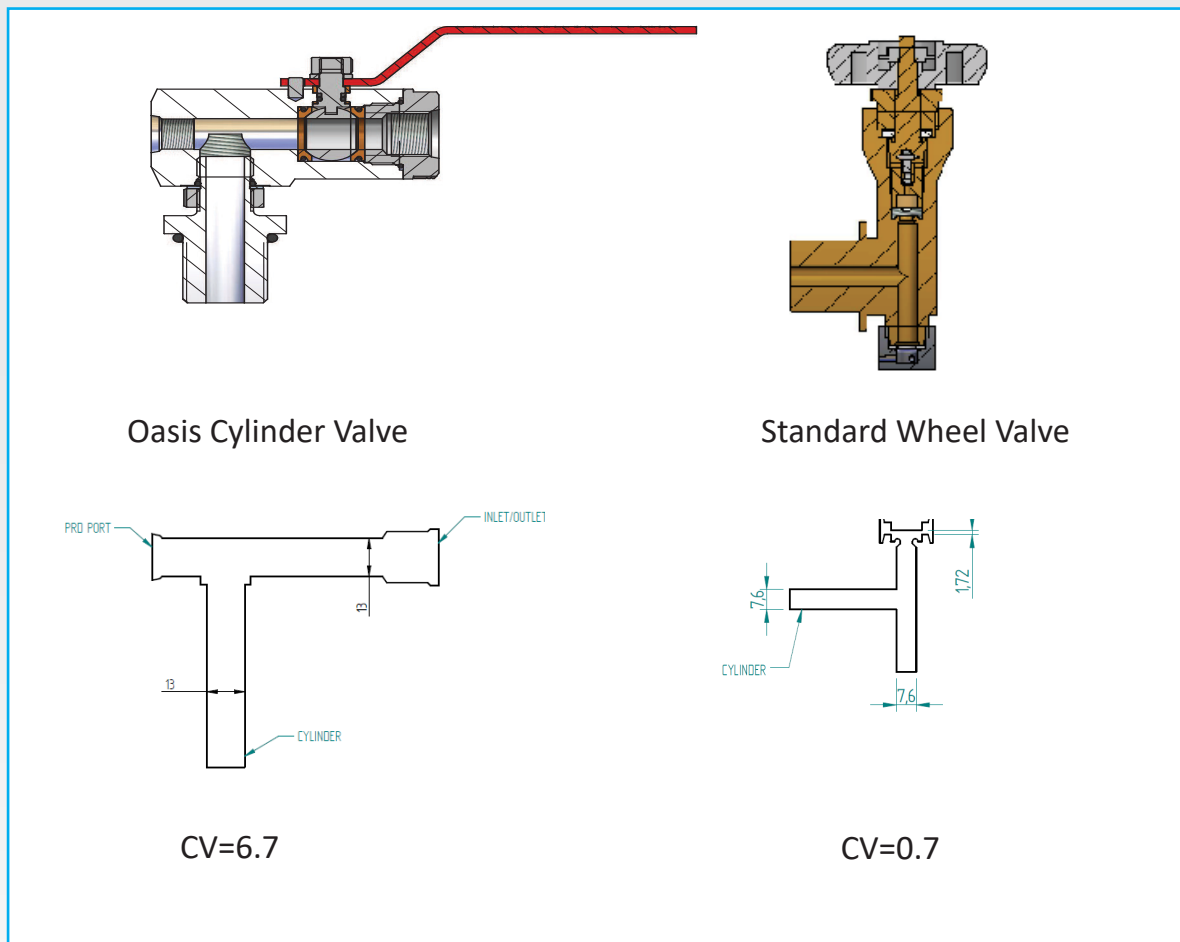
TH104-42B1210-1000





100 Series Cylinder Valve TH104 - NGV3.1:2014

Oasis Cylinder Valve vs Standard Wheel Valve Flow Area Comparison





100 Series Cylinder Valve With Commissioning Port

Applications

Suitable for CNG, Hydrogen, Helium, Bio-Gas and Air

Bulk gas trailers (cylinders or spheres)

Bulk gas cylinder storage stacks

Gas vehicle cylinder stacks

Fast fill cylinder stacks

Truck fuel systems

Product Information

All products are manufactured to ISO 9001:2015 standards.

Product tested to ANSI NGV 3.1:2014 - CSA 12.3-2014.

Complies to PED 2014/68/EU.

Quarter turn handle.

SAE threads conform to SAE J1926-1.

Commissioning Plug allows the cylinder to be isolated for testing.
Part # XTH104-73.

Can be manufactured to your specifications, contact us for details.

Other end cap and cylinder fitting options available.

Includes a live PRD port, PRD not included.

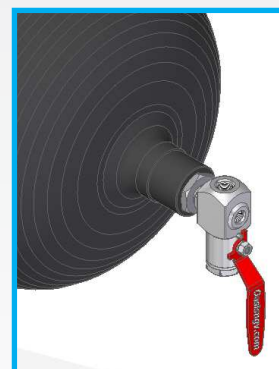
More product information available online at oasisngv.com/resources.



TH104 - 1/2" Cylinder Valve With Commissioning Port

Materials

Part	Material
Body/Cap	304 Stainless steel
Handle	304 Stainless Steel
Ball and Stem	316 Stainless steel
O-rings	Nitrile
Seats and Glands	Delrin



Fitted Cylinder Valve

Product Specification

Part Code #	Size	Mass lb (kg)	Min. Operating Pressure psi (bar) *	Max. Operating Pressure bar (psi) **	Min. Temp. °F (°C)	Max. Temp. °F (°C)	Service ^	Stem Open Torque ft-lb (Nm) ^^	Cv	Service Kit
TH104-42D1510-1000	1/2"	2.4 (1.1)	90 (6.2)	410 (6000)	-40 (-40)	185 (85)	5 Years	3.3 (4.5)	6.0	TH104-SK2

* Minimum pressure that the product will hold constant bubble tight seal.

** Maximum pressure at which the product can continuously operate at.

^ Although unnecessary, it is recommended best practice to re-kit the valves during routine cylinder inspection which is typically every 5 years.

^^ Opening torque at 6,000 psi

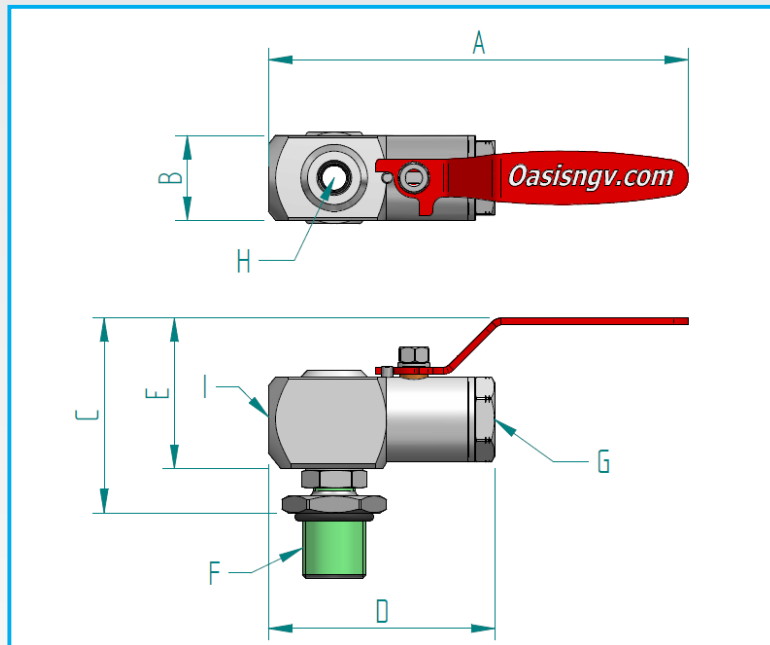


100 Series Cylinder Valve With Commissioning Port

Dimensions:

Part Code	A	B	C	D	E
TH104-42D1510-1000	7.48" (190mm)	1.49" (38mm)	2.99" (76mm)	4.02" (102mm)	2.20" (56mm)

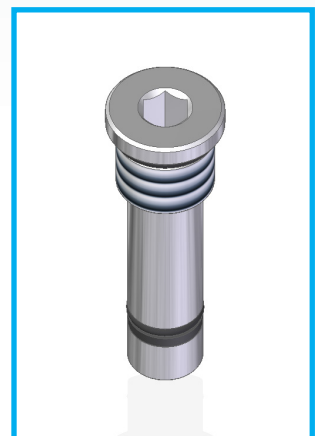
Part Code	F (CYLINDER) MALE THREAD	G (END CAP) FEMALE THREAD	H (COMMISSIONING PORT) FEMALE THREAD	I (PRD/LIVE PORT) FEMALE THREAD	PRD TYPE
TH104-42D1510-1000	1 1/8-12 UNF	3/4-16 SAE	9/16-18 SAE	3/4-16 SAE	CUSTOMER SUPPLIED REMOTE PRD



Accessories:

Part Code	SAE Thread Size	Mass Oz (g)	Stainless Steel Material	Hex Size	Min. Operating Pressure psi (bar) *	Max. Operating Pressure bar (psi) **	Min. Temp. °F (°C)	Max. Temp. °F (°C)
TH104-73	3/8"	1.3 (36)	316	1/4"	90 (6.2)	410 (6000)	-40 (-40)	185 (85)

- Can powder coat plug head on your request to your custom safety color.
- * Minimum pressure that the product will hold constant bubble tight seal.
- ** Maximum pressure at which the product can continuously operate at.
- O-Rings that are supplied with the TH104-73:
 - Imperial 011 Nitrile 90 x1
 - Imperial 011 Back-up Nitrile 90 x1
 - Imperial 906 Nitrile 90 x1

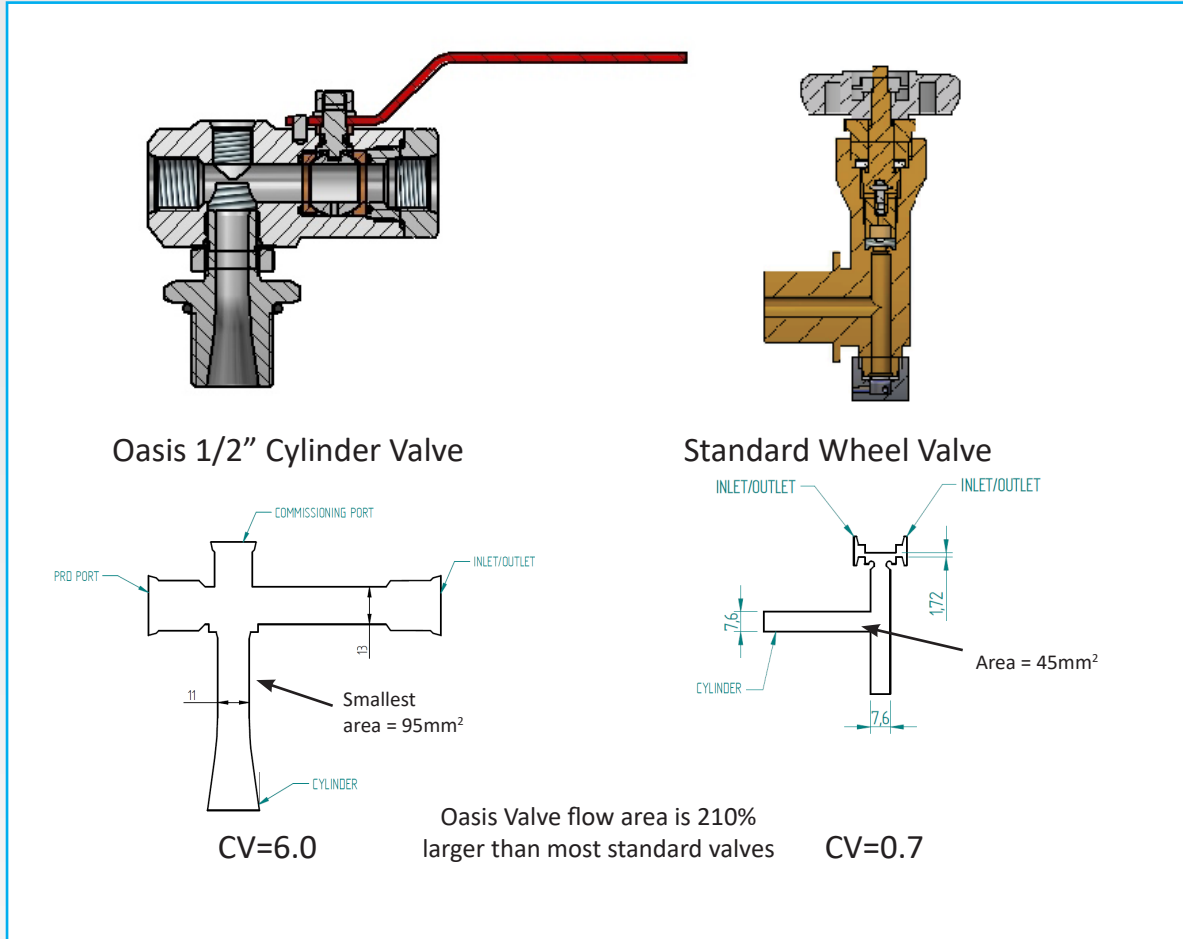


TH104-73 Commissioning Plug



100 Series Cylinder Valve With Commissioning Port

Oasis Cylinder Valve vs Standard Wheel Valve Flow Area Comparison





700 Series Lock-out Handle Option

Applications

CNG Transporters and CNG Trailers, CNG Storage Isolators, CNG pipe-work in potentially hazardous areas.

Suitable for CNG, Hydrogen, Helium, Bio-Gas and Air



700 Series Ball Valve with Lock Out Option

Product Information

Part Code	Description	Material
BV702-LH	1/4" Lock Out Handle and Plate (for BV702)	304 Stainless Steel
BV703-LH	3/8"+1/2" Lock Out Plate (for BV703 & BV704)	304 Stainless Steel
BV706-LH	3/4"+1" Lock Out Plate (for BV706 & BV708)	304 Stainless Steel

Features & Benefits

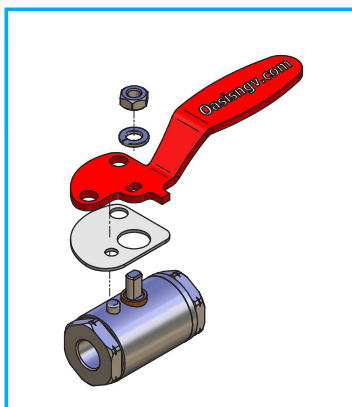
- Can be easily retrofitted to any standard Oasis valve.
- Can be locked in the on or off position with a padlock.
- All products are manufactured under ISO 9001 standards.



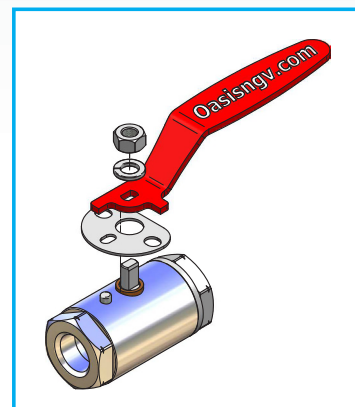
BV702-LH Lock Out Handle and Plate



BV703-LH and BV706-LH Lock Out Plates use standard handle (not included)



Installation of BV702 Lock Out Handle and Plate



Installation of BV703 & BV706 Lock Out Plate



Valve Customization - Reversing Segment

Applications

Used in situations where handle operation must be reversed from standard.



SBV506-16RM - Reversing Segment

Materials

Item	Description	Material
1	Ball Valve	As per specification
2	Reversing Segment	304 Stainless Steel
3	Handle	304 Stainless Steel
4	Spring Washer	304 Stainless Steel
5	Nut	304 Stainless Steel

Features & Benefits

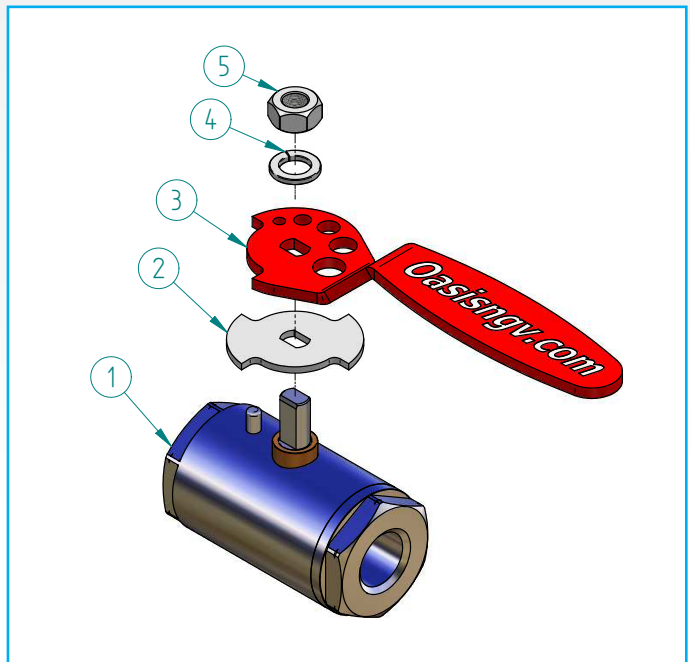
A simple and cost effective solution where alternate handle orientation is necessary.

This reversing segment permits anticlockwise accuation.

Easily retrofitted.

Robust, simple design that can be quickly installed.

Reversing Segment only available for 3/4" & 1" Ball Valves.





Valve Customization - User Specific Handles

Applications

Custom applications which require unique handles.



Materials

For hardness and durability the preferred medium is powder coated 304 stainless steel. Other options are available.

Features & Benefits

Modern manufacturing is focused on minimising installation time. Oasis can provide custom handle solutions to fit your manufacturing application.

Reversing segments, lock out options and panel mounted handles for isolation are standard options. Please refer to relevant specification sheets.

Length, angles, curvature and color can all be user defined.

Relatively short run capabilities can also be accommodated. Talk to Oasis to identify a custom solution for your needs.



Air Torque Actuators

Applications

Ball valve automation and remote actuation.



Air Torque AT101

Product Information

Operating pressure as per product specification table.

Full range of sizes available for valves from 1/4" to 1".

Full compliance to specifications ISO5211, DIN 3337 and VDI/VDE 3845 providing easy interchangeability.

Single Acting is standard configuration.

Air connection via 1/8" BSP fitting.

Assemble with valve in the open or closed position to create normally open or normally closed operating valve.

Service kits available.

Features & Benefits

Air Torque actuators. (www.AirTorque.it).

Position indication.

Universal & Anti-Blowout drive shaft.

Suitable for indoor and outdoor installation.

Certification & Approvals:

- SIL3, ATEX 94/9/EC, GOST-R, GOST, EN60529 IEC 529.

Oasis low valve torque means small actuators can be specified when compared to competitor valves.

Product Specification

Part Code	Mass lb (kg)	Minimum Driving Torque @ 8 bar . ft lb(Nm)	Minimum Spring return torque ft lb (Nm)	Min. Temp. °F (°C)	Max Temp. °F (°C)	Air Supply Pressure bar (psi) ^	Air Supply Port Size	ISO Flange	Square Drive Dog Size inch (mm)	Recommended Oasis Valve Compatibility
AT051U	2.9 (1.3)	10.2 (13.8)	5.8 (7.9)	-40 (-40)	176 (80)	6-8 (87-116)	1/8" BSPP	F04	0.433 (11)	BV702/BV703
AT101U	4 (1.8)	19.7 (26.7)	9.8 (13.3)	-40 (-40)	176 (80)	6-8 (87-116)	1/8" BSPP	F05 + F07	0.433 (11)	BV704
AT201U	6.6 (3)	38 (51.5)	19.5 (26.5)	-40 (-40)	176 (80)	6-8 (87-116)	1/8" BSPP	F05 + F07	0.669 (17)	BV706
AT251U	9.7 (4.4)	56.9 (77.1)	32.5 (44)	-40 (-40)	176 (80)	6-8 (87-116)	1/8" BSPP	F05 + F07	0.669 (17)	BV708

^ Required actuator supply pressure to operate Air Torque Actuator.



YTC Limit Switch

Applications

Limit Switch monitors and transmits electric signals of the actuated valve position.



AT597030 - YT-870 M3 Limit Switch

Product Information

Mechanical Switch x 2.

Enclosure Protection IP67.

Explosion Proof Ex d IIC T6.

Mounting Bracket NAMUR VDI / VDE 3845, ISO 5211.

Terminal: 8 points.

Switch Rating:

- AC: 250V 3A, 125V 5A.

- DC: 250V 0.2A, 125V 0.4A, 30V 4A.

Ambient Temperature: -20 °C (-4 °F) ~ 60°C (140 °F).

Conduit Entry: M20.

Weight: 1.5 kgs / 3.3 lbs.

Features & Benefits

Visual position indication.

Electrical signal for remote control and automation.

Explosion Proof.

Mounting Bracket supplied.

Fits all Oasis Actuated Valves and Air Torque Actuators.