



# 100 Series 45° Fill Valve

## Application

CNG and Bio-Gas Dispensers for Car, Bus and Truck filling & CNG Bio-Gas Trailer load/unload systems.



FV103-4-00A-0 45° Fill Valve

## Materials

| Item | Description    | Material            |
|------|----------------|---------------------|
| 1    | 45° Valve Body | 6061 Aluminium      |
| 2    | Valve Caps     | 304 Stainless Steel |
| 3    | Seats          | Delrin              |
| 4    | Balls          | 316 Stainless Steel |
| 5    | Stems          | 316 Stainless Steel |
| 6    | Thrusts        | Delrin              |
| 7    | Glands         | Delrin              |

| Item | Description        | Material            |
|------|--------------------|---------------------|
| 8    | Stem O-rings       | Nitrile             |
| 9    | Stem Backup        | Nitrile             |
| 10   | Cap & Seat O-rings | Nitrile             |
| 11   | Spring Washers     | 304 Stainless Steel |
| 12   | Stem Nuts          | 304 Stainless Steel |
| 13   | Valve Handle       | 304 Stainless Steel |
| 14   | Handle Sleeve      | Black Urethane      |

## Product Information

All products are manufactured under ISO 9001 accredited standards.

The FULL FLOW design means more gas is dispensed faster to the vehicle, maximising the number of vehicle fills per day and minimising wasted gas.

Complies to PED 2014/68/EU

Port adaptors are required to attached a nozzle and are available on request. Minimum order quantity may apply.

## Features & Benefits

The Oasis full flow fill valve redefines the flow rate standard for NGV gas delivery.

Intuitive fill valve operation.

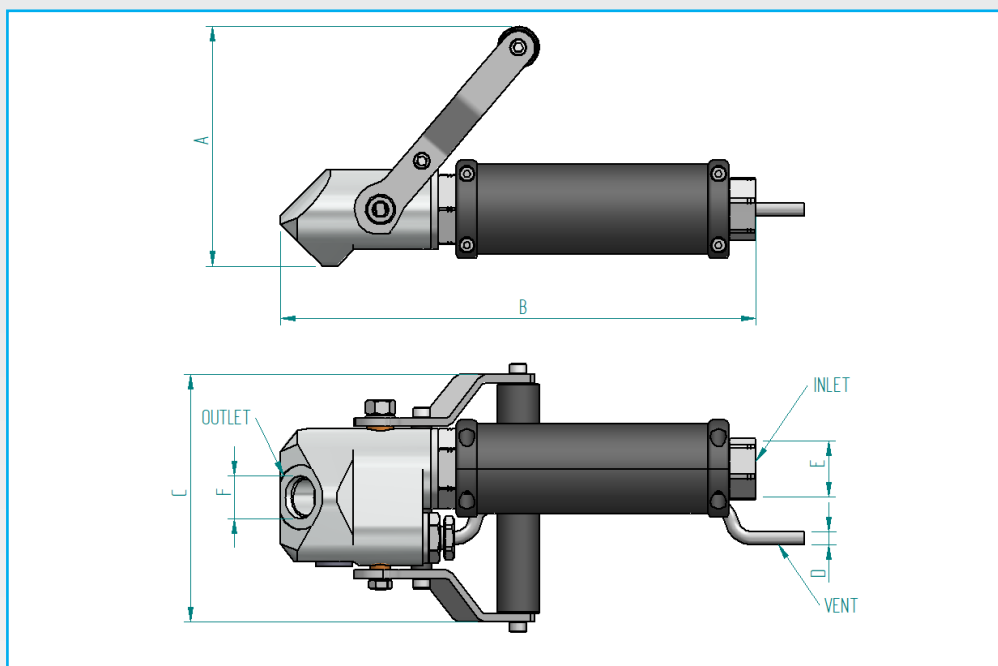
All Oasis fill valves are easily serviced in the field using Oasis's product specific service kits.

Adaptors are available to extend the position of the nozzle.

Video servicing instructions available online at [oasisngv.com/resources](http://oasisngv.com/resources)



# 100 Series 45° Fill Valve



## Dimensions Inch (mm)

| Part Code     | Size | A         | B         | C         | D (Vent Port) | E (Inlet Port) | F (Outlet Port) |
|---------------|------|-----------|-----------|-----------|---------------|----------------|-----------------|
| FV103-4-00A-0 | 3/8" | 4.5 (114) | 8.9 (227) | 4.6 (118) | 1/4" Tube     | 3/4 - 16 SAE   | 3/4 - 16 SAE    |

## Product Specification

| Part Code     | Mass<br>lb (kg) | Min. Operating<br>Pressure<br>psi (bar) * | MAWP<br>psi (bar) ** | Min<br>Temp<br>°F (°C) | Max<br>Temp.<br>°F (°C) | Stem Open<br>Torque<br>ft-lb (Nm) | Cycles<br>Before<br>Rekit ^ | Cv + | Fill Valve<br>Service Kit |
|---------------|-----------------|---|----------------------|------------------------|-------------------------|-----------------------------------|-----------------------------|------|---------------------------|
| FV103-4-00A-0 | 2.9 (1.3)       | 7 (0.5)                                   | 4532 (312.5)         | -40 (-40)              | 185 (85)                | 3.7 (5)                           | 100,000                     | 3.1  | FV103-SKDN                |

\* Minimum system pressure the product will hold constant bubble tight seal.

\*\* Maximum Allowable Working Pressure, the maximum pressure at which the product can constantly operate at.

^ It is recommended that the fill valve is re-kitted on or before the maximum number of allowable cycles.

+ Tested in accordance with ANSI/ISA 75.02.01:2008



## 100 Series 45° Fill Valve

### Fill valve Service Kits

All wearing components are available for replacement with original Oasis service kits

#### FV103-SKDN

Fill valve service kit for sealing components, recommended to be replaced on or before the maximum cycles before re-kit as identified in product specifications.



#### FV103-70

Fill valve handle replacement kit, to be replaced as required



#### FV103-17

Fill valve 2 piece handle sleeve, to be replaced as required





# 100 Series 180 Degree Fill Valve

## Application

CNG and Bio-Gas dispenser for car, bus and truck filling & CNG and Bio-Gas trailer load/unload systems.



FV103-0-AA6-0 180° Fill Valve

## Materials

| Item | Description     | Material            |
|------|-----------------|---------------------|
| 1    | 180° Valve Body | 6061 Aluminium      |
| 2    | Valve Caps      | 304 Stainless Steel |
| 3    | Seats           | Delrin              |
| 4    | Balls           | 316 Stainless Steel |
| 5    | Stems           | 316 Stainless Steel |
| 6    | Thrusts         | Delrin              |
| 7    | Glands          | Delrin              |

| Item | Description        | Material            |
|------|--------------------|---------------------|
| 8    | Stem O-rings       | Nitrile             |
| 9    | Stem Backup        | Nitrile             |
| 10   | Cap & Seat O-rings | Nitrile             |
| 11   | Spring Washer      | 304 Stainless Steel |
| 12   | Stem Nuts          | 304 Stainless Steel |
| 13   | Valve Handle       | 304 Stainless Steel |
| 14   | Handle Sleeve      | Black Urethane      |

## Product Information

All products are manufactured under ISO 9001 accredited standards.

The FULL FLOW design means more gas is dispensed faster to the vehicle, maximising the number of vehicle fills per day and minimising wasted gas.

Complies to PED 2014/68/EU.

Port adaptors are required to attached a nozzle and are available on request. Minimum order quantity may apply.

Video servicing instructions available online at [oasisngv.com/resources](http://oasisngv.com/resources)

## Features & Benefits

The Oasis full flow fill valve redefines the flow rate standard for NGV gas delivery.

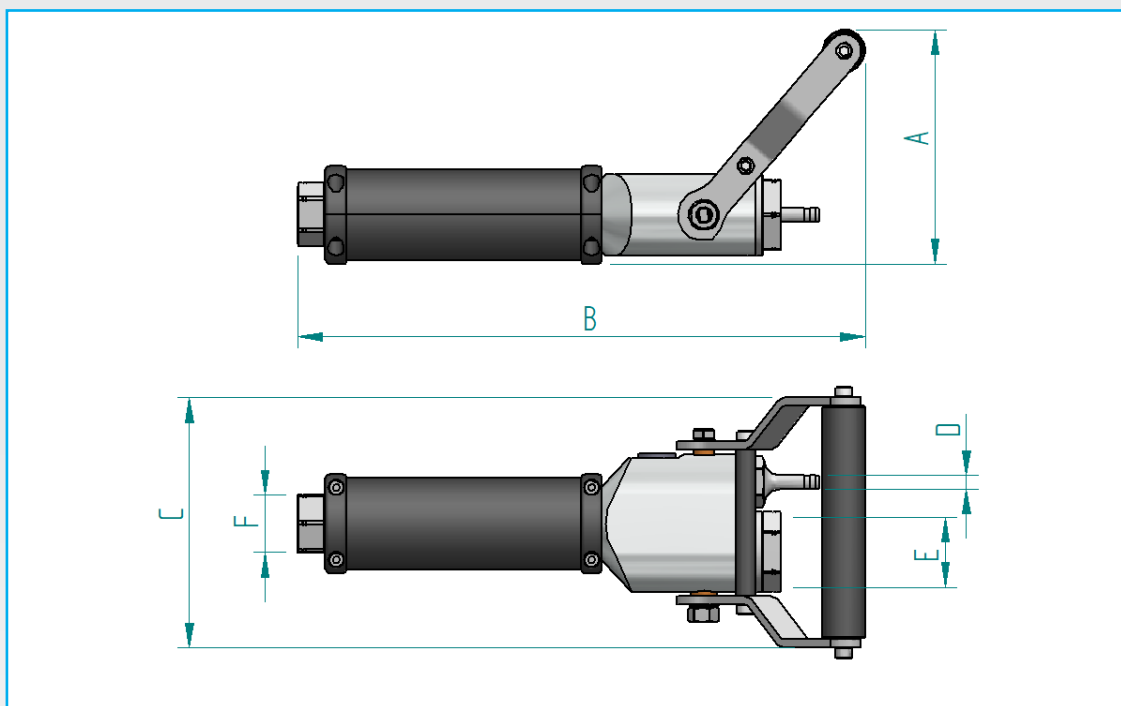
Intuitive fill valve operation.

All Oasis fill valves are easily serviced in the field using Oasis's product specific service kits.

Adaptors are available to extend the position of the nozzle.



# 100 Series 180 Degree Fill Valve



## Dimensions Inch (mm)

| Part Code     | Size | A         | B          | C         | D (Vent)            | E (Inlet)    | F (Outlet)   |
|---------------|------|-----------|------------|-----------|---------------------|--------------|--------------|
| FV103-0-AA6-0 | 3/8" | 4.3 (110) | 10.5 (266) | 4.6 (118) | 1/4" Male Tube Stub | 3/4 - 16 SAE | 3/4 - 16 SAE |

## Product Specification

| Part Code     | Mass<br>lb (kg) | Min. Operating<br>Pressure<br>psi (bar) * | MAWP<br>psi (bar) ** | Min<br>Temp<br>°F (°C) | Max<br>Temp.<br>°F (°C) | Stem Open<br>Torque ft-lb<br>(Nm) | Cycles<br>Before<br>Rekit <sup>^</sup> | Cv <sup>+</sup> | Fill Valve<br>Service Kit |
|---------------|-----------------|---|----------------------|------------------------|-------------------------|-----------------------------------|--|-----------------|---------------------------|
| FV103-0-AA6-0 | 2.9 (1.3)       | 7 (0.5)                                   | 4532 (312.5)         | -40 (-40)              | 185 (85)                | 3.7 (5)                           | 100,000                                | 3.3             | FV103-SKDN                |

\* Minimum system pressure the product will hold constant bubble tight seal.

\*\* Maximum pressure at which the product can constantly operate at.

<sup>^</sup> It is recommended that the fill valve is re-kitted on or before the maximum number of allowable cycles.

<sup>+</sup> Tested in accordance with ANSI/ISA 75.02.01:2008.



## 100 Series 180 Degree Fill Valve

### Fill valve Service Kits

All wearing components are available for replacement with original Oasis service kits

#### FV103-SKDN

Fill valve service kit for sealing components, recommended to be replaced on or before the maximum cycles before re-kit as identified in product specifications.



#### FV103-70

Fill valve handle replacement kit, to be replaced as required



#### FV103-17

Fill valve 2 piece handle sleeve, to be replaced as required





# 100 Series Fill Valve Outlet Adaptors & Extensions

## Applications

Adaptors and extensions for fitment of nozzles to fill valves.



100/50 mm extensions, NC203 and NC104 adaptors.

## Features & Benefits

Easy fitment of Oasis nozzles to Oasis fill valves

50mm and 100mm nozzle adaptors to increase nozzle reach.

## Product Information

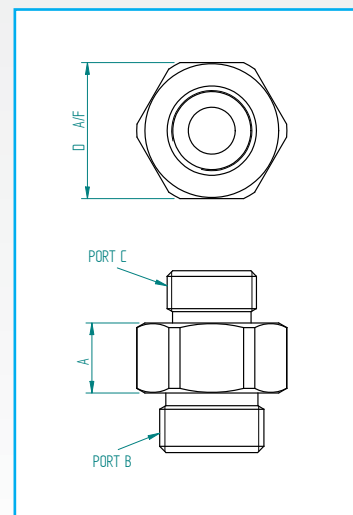
All products are manufactured under ISO 9001 accredited standards.

Complies to PED 2014/68/EU.

An adaptor is required to attached the Oasis nozzle to the Oasis fill valve.

Supplied with nitrile O-rings.

CRN (0C23503.5C) approved for all provinces.



## Dimensions inch (mm)

| Part Code | Length A   | Port B               | Port C                      | MAWP<br>bar (psi)* | D A/F       |
|-----------|------------|----------------------|-----------------------------|--------------------|-------------|
| NC103-35  | .354 (9)   | 3/4 - 16 SAE (FV103) | 9/16-18 SAE (NC103 P30/P36) | 312.5 (4532)       | 7/8 (22)    |
| NC103-36  | 1.97 (50)  | 3/4 - 16 SAE (FV103) | 9/16-18 SAE (NC103 P30/P36) | 312.5 (4532)       | 7/8 (22)    |
| NC103-37  | 3.94 (100) | 3/4 - 16 SAE (FV103) | 9/16-18 SAE (NC103 P30/P36) | 312.5 (4532)       | 7/8 (22)    |
| SNC104-35 | .59 (15)   | 3/4 - 16 SAE (FV103) | 7/8-14 SAE (NC104-200)      | 312.5 (4532)       | 1 5/32 (29) |

\* Maximum Allowable Working Pressure, the maximum static pressure that can be applied without affecting the operation of the product.

# 200 Series NGV1 P30/P36 Fueling Nozzle

## Applications

Refuelling and dispensing nozzle for CNG and Bio-Gas applications such as car & bus filling.



P30 & P36 NGV1 Nozzles

## Features & Benefits

Hardened segment connection style increases gripping surface area. This significantly reduces wear on male coupling.

Stainless steel construction gives corrosion and wear resistance.

P30 (3000PSI) & P36 (3600PSI) nozzles available.

Green indicator shows coupled position.

## Product Information

All products are manufactured under ISO 9001 accredited standards.

Class A tested to 100,000 cycles.

Compatible with receptacles designed to ANSI/CSA NGV1 Standard.

Complies to PED 2014/68/EU.

CRN (0A23666.5C) approved for all provinces

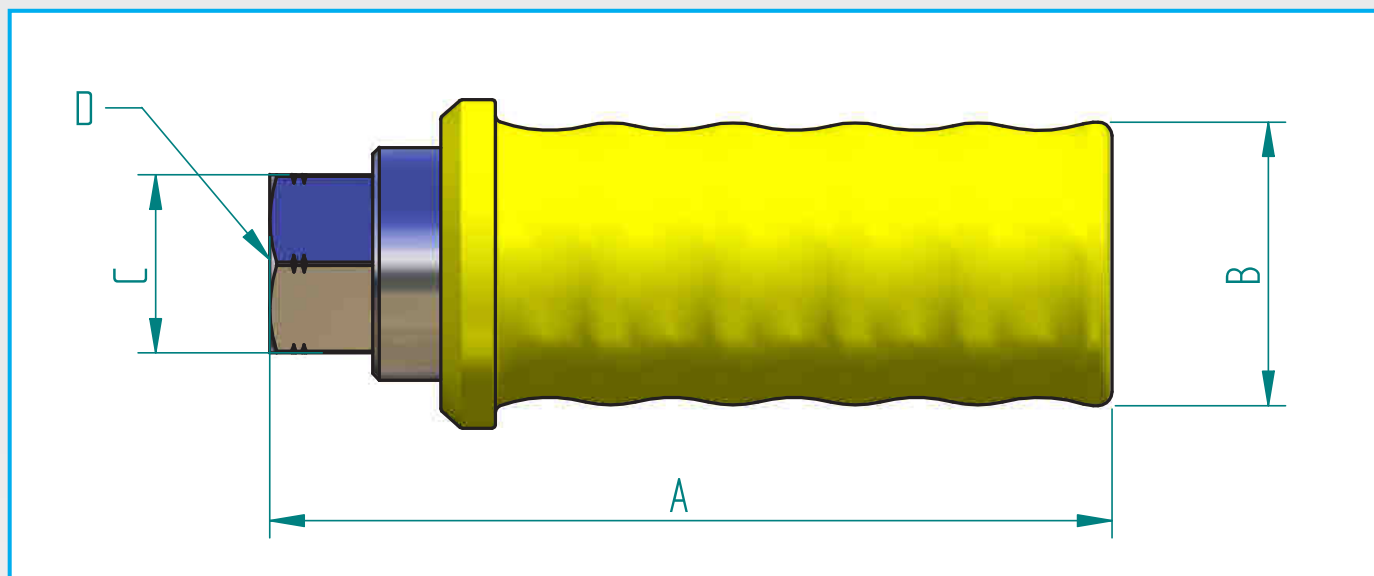
## Materials

| Item | Part          | Material            |
|------|---------------|---------------------|
| 1    | Body          | 316 Stainless Steel |
| 2    | Coupler Nose  | 316 Stainless Steel |
| 3    | Poppet        | 316 Stainless Steel |
| 4    | O-rings       | Nitrile             |
| 5    | End Cap       | 316 Stainless Steel |
| 6    | Segments      | 420 Stainless Steel |
| 7    | Ball Bearings | 316 Stainless Steel |



## 200 Series NGV1 P30/P36 Fueling Nozzle

### Dimensions



### Dimensions: Imperial (mm)

| Part Code | Size | A             | B            | C (A/F)    | D (Inlet Port) | Handle Sleeve Color |
|-----------|------|---------------|--------------|------------|----------------|---------------------|
| NC203-P30 | 3/8" | 4.84" (122.9) | 1.63" (41.4) | 1.02" (26) | 9/16 - 18 SAE  | Blue                |
| NC203-P36 | 3/8" | 4.84" (122.9) | 1.63" (41.4) | 1.02" (26) | 9/16 - 18 SAE  | Yellow              |

### Product Specification

| Part Code | Mass<br>lb (kg) | Service<br>Pressure<br>bar (psi) * | MAWP<br>bar (psi)** | Min.<br>Temp.<br>°F (°C) | Max.<br>Temp.<br>°F (°C) | Cycles<br>Before<br>Rekit ^ | Cv  | Nozzle<br>Service Kit |
|-----------|-----------------|------------------------------------|---------------------|--------------------------|--------------------------|-----------------------------|-----|-----------------------|
| NC203-P30 | 1.43 (0.65)     | 206 (3000)                         | 312.5 (4532)        | -40 (40)                 | 185 (85)                 | 100,000                     | 2.2 | NC203-SK1             |
| NC203-P36 | 1.43 (0.65)     | 248 (3600)                         | 312.5 (4532)        | -40 (40)                 | 185 (85)                 | 100,000                     | 2.2 | NC203-SK1             |

\* System pressure that the product is designed for.

\*\* Maximum Allowable Working Pressure, the maximum static pressure that can be applied without affecting the operation of the product.

^ It is recommended that the nozzle is re-kitted on or before the maximum number of allowable cycles.



# 100 Series Bus/Truck Nozzle

## Applications

Refuelling nozzle for high flow CNG and Bio-Gas applications such bus, truck & trailer filling.



NC104-200 - Bus/Truck Nozzle

## Features & Benefits

Hardened segment connection style increases gripping surface area. This significantly reduces wear on male coupling.

Stainless steel construction gives corrosion and wear resistance.

Easily serviceable onsite with Oasis Service Kit.

Green indicator shows coupled position.



Example of Receptacle DN12

## Product Information

All products are manufactured under ISO 9001 accredited standards.

Class A tested to 100,000 + cycles.

Designed to Fit DN12 (C200) Receptacles as per ISO 14469-2 Standard.

Nozzle designed & Tested to ISO 14469-2 (2007) Standard.

Complies to PED 2014/68/EU.

Video servicing instructions available online at [oasisngv.com/resources](http://oasisngv.com/resources).

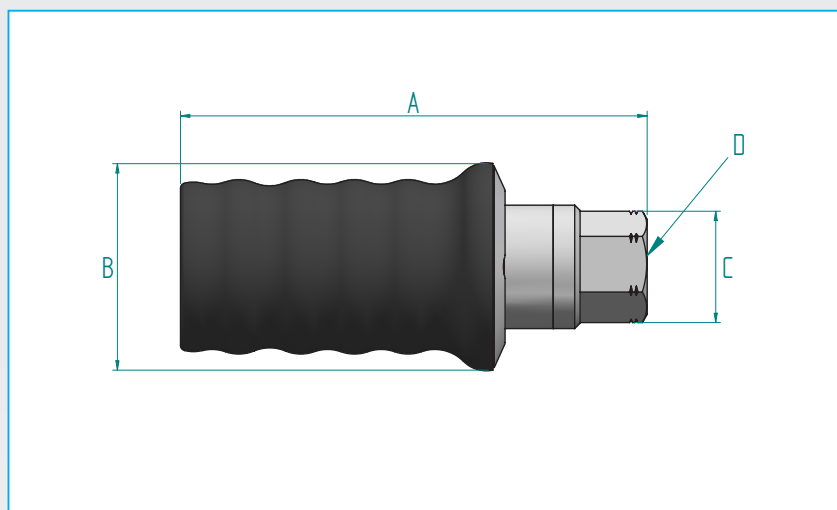
## Materials

| Item | Part          | Material            |
|------|---------------|---------------------|
| 1    | Body          | 316 Stainless Steel |
| 2    | Coupler Nose  | 316 Stainless Steel |
| 3    | Sleeve        | 6061 Aluminium      |
| 4    | Poppet        | 316 Stainless Steel |
| 5    | O-rings       | Nitrile             |
| 6    | End Cap       | 316 Stainless Steel |
| 7    | Segments      | 420 Stainless Steel |
| 8    | Ball Bearings | 420 Stainless Steel |



# 100 Series Bus/Truck Nozzle

## Dimensions



## Dimensions (mm)

| Part Code | Size | A   | B  | C (A/F) | D (Inlet Port) |
|-----------|------|-----|----|---------|----------------|
| NC104-200 | DN12 | 174 | 77 | 36      | 7/8 -14 SAE    |

## Product Specification

| Part Code | Mass<br>lb (kg) | Service<br>Pressure<br>bar (psi) * | MAWP<br>bar (psi)** | Min.<br>Temp.<br>°F (°C) | Max.<br>Temp.<br>°F (°C) | Cycles<br>Before<br>Rekit ^ | Cv  | Nozzle<br>Service<br>Kit ^^ |
|-----------|-----------------|------------------------------------|---------------------|--------------------------|--------------------------|-----------------------------|-----|-----------------------------|
| NC104-200 | 4 (1.8)         | 248 (3600)                         | 312.5 (4532)        | -40 (40)                 | 185 (85)                 | 100,000                     | 6.1 | NC104-SK200-1               |

\* System pressure that the product is designed for.

\*\* Maximum Allowable Working Pressure, the maximum pressure at which the product can constantly operate at.

^ It is recommended that the nozzle is re-kitted on or before the maximum number of allowable cycles.

^^ NC104-SK200 service kit for NC104-200 nozzle only. For NC104-C200 use NC104-SK service kit only.



# FV103 Light Duty Fill Valve & Transit Nozzle

## Application

CNG and Bio-Gas dispenser for filling vehicles with CNG and Bio-Gas as well as trailer load/unload systems.



FV103-9-10B-0 - Light Duty Fill Valve



FV103-9-11B-G - P36 Light Duty Transit Nozzle

## Materials

| Item | Description    | Material                |
|------|----------------|-------------------------|
| 1    | 90° Valve Body | 6061 Aluminium          |
| 2    | Valve Caps     | 304/316 Stainless Steel |
| 3    | Seats          | Delrin                  |
| 4    | Balls          | 316 Stainless Steel     |
| 5    | Stems          | 316 Stainless Steel     |
| 6    | Thrusts        | Delrin                  |
| 7    | Glands         | Delrin                  |

| Item | Description        | Material             |
|------|--------------------|----------------------|
| 8    | Stem O-rings       | Nitrile              |
| 9    | Stem Backup        | Nitrile              |
| 10   | Cap & Seat O-rings | Nitrile              |
| 11   | Spring Washer      | 304 Stainless Steel  |
| 12   | Stem Nuts          | 304 Stainless Steel  |
| 13   | Valve Handle       | 304 Stainless Steel  |
| 14   | NGV1 Nozzle        | See NC203 Spec Sheet |

## Product Information

All products are manufactured under ISO 9001 accredited standards.

The FULL FLOW design means more gas is dispensed faster to the vehicle, maximising the number of vehicle fills per day and minimising wasted gas.

Nozzle tested to ANSI/CGA NGV1 Standard.

Complies to PED 2014/68/EU.

CRN (0C23503.5C and 0A23666.5C) approved for all provinces.

Instructions available online at [www.oasisngv.com/resources](http://www.oasisngv.com/resources).

## Features & Benefits

The Oasis Light Duty Transit Nozzle redefines the flow rate standard for NGV gas delivery.

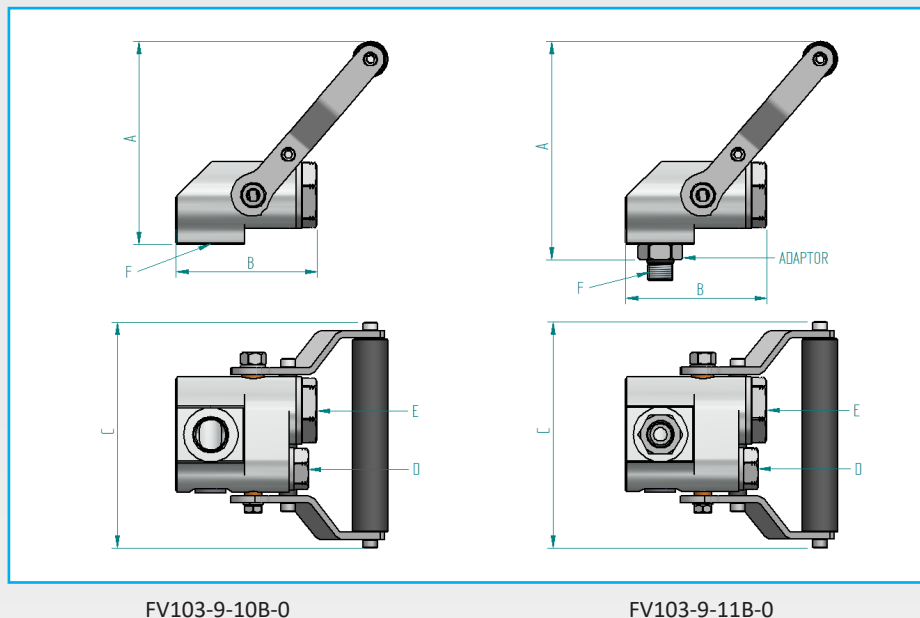
Intuitive fill valve operation.

All Oasis Light Duty Transit Nozzles are easily serviced in the field using Oasis's product specific service kits.

Adaptors are available to extend the position of the nozzle.



# FV103 Light Duty Fill Valve & Transit Nozzle



FV103-9-10B-0

FV103-9-11B-0

## Dimensions Inch (mm)

| Part Code     | Size | A          | B         | C          | D (Vent)             | E (Inlet)            | F (Outlet) / Adaptor                 |
|---------------|------|------------|-----------|------------|----------------------|----------------------|--------------------------------------|
| FV103-9-10B-0 | 3/8" | 4.52 (115) | 3.15 (80) | 5.04 (128) | 7/16 - 20 SAE Female | 9/16 - 18 SAE Female | 3/4 - 16 SAE Female / None           |
| FV103-9-11B-0 | 3/8" | 4.85 (123) | 3.15 (80) | 5.04 (128) | 7/16 - 20 SAE Female | 9/16 - 18 SAE Female | 9/16 - 18 SAE Male / Adaptor         |
| FV103-9-1EB-0 | 3/8" | 6.47 (164) | 3.15 (80) | 5.04 (128) | 7/16 - 20 SAE Female | 9/16 - 18 SAE Female | 9/16 - 18 SAE Male / 50mm Extension  |
| FV103-9-1FB-0 | 3/8" | 8.44 (214) | 3.15 (80) | 5.04 (128) | 7/16 - 20 SAE Female | 9/16 - 18 SAE Female | 9/16 - 18 SAE Male / 100mm Extension |

## Product Specification

| Part Code     | Mass<br>lb (kg) | Min. Operating<br>Pressure<br>psi (bar) * | MAWP<br>psi (bar) ** | Min.<br>Temp.<br>°F (°C) | Max.<br>Temp.<br>°F (°C) | Stem Open<br>Torque<br>ft-lb (Nm) | Cycles<br>Before<br>Rekit <sup>^</sup> | Cv <sup>+</sup> | Light Duty Fill<br>Valve Service Kit |
|---------------|-----------------|---|----------------------|--------------------------|--------------------------|-----------------------------------|--|-----------------|--------------------------------------|
| FV103-9-10B-0 | 1.70 (0.77)     | 7 (0.5)                                   | 4532 (312.5)         | -40 (-40)                | 185 (85)                 | 3.7 (5)                           | 100,000                                | 3.3             | FV103-SKLD                           |
| FV103-9-11B-0 | 1.79 (0.81)     | 7 (0.5)                                   | 4532 (312.5)         | -40 (-40)                | 185 (85)                 | 3.7 (5)                           | 100,000                                | 3.3             | FV103-SKLD                           |
| FV103-9-1EB-0 | 2.03 (0.92)     | 7 (0.5)                                   | 4532 (312.5)         | -40 (-40)                | 185 (85)                 | 3.7 (5)                           | 100,000                                | 3.3             | FV103-SKLD                           |
| FV103-9-1FB-0 | 2.36 (1.07)     | 7 (0.5)                                   | 4532 (312.5)         | -40 (-40)                | 185 (85)                 | 3.7 (5)                           | 100,000                                | 3.3             | FV103-SKLD                           |

\* Minimum system pressure the product will hold constant bubble tight seal.

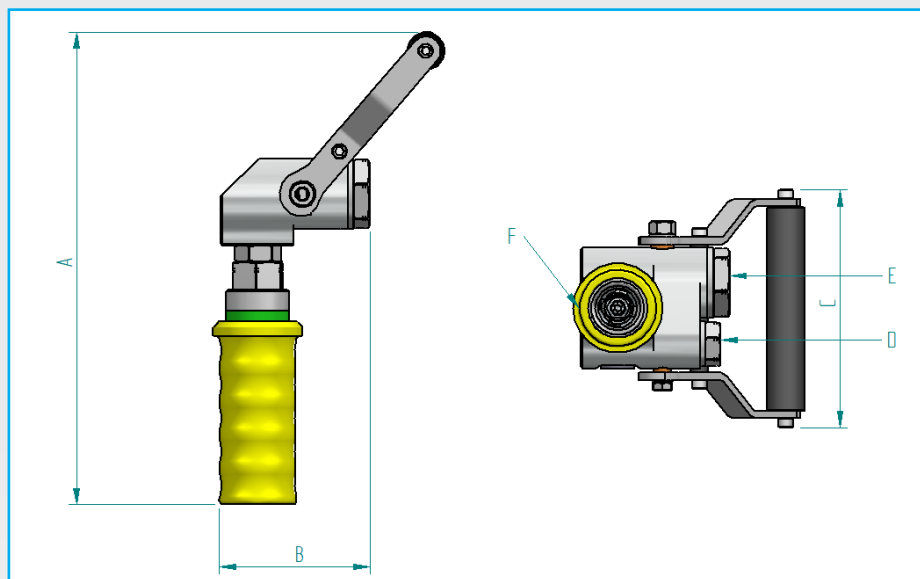
\*\* Maximum Allowable Working Pressure, maximum pressure at which the product can continuously operate.

<sup>^</sup> It is recommended that the fill valve is re-kitted on or before the maximum number of allowable cycles.

<sup>+</sup> Tested in accordance with ANSI/ISA 75.02.01:2008.



# FV103 Light Duty Fill Valve & Transit Nozzle



## Dimensions Inch (mm)

| Part Code     | Size | A           | B         | C          | D (Vent)             | E (Inlet)            | F (Outlet) | G<br>(Adaptor length) |
|---------------|------|-------------|-----------|------------|----------------------|----------------------|------------|-----------------------|
| FV103-9-11B-F | 3/8" | 9.70 (246)  | 3.15 (80) | 5.04 (128) | 7/16 - 20 SAE Female | 9/16 - 18 SAE Female | NGV1 P30   | 0.35 (9)              |
| FV103-9-11B-G | 3/8" | 9.97 (253)  | 3.15 (80) | 5.04 (128) | 7/16 - 20 SAE Female | 9/16 - 18 SAE Female | NGV1 P36   | 0.35 (9)              |
| FV103-9-1EB-F | 3/8" | 11.31 (287) | 3.15 (80) | 5.04 (128) | 7/16 - 20 SAE Female | 9/16 - 18 SAE Female | NGV1 P30   | 1.97 (50)             |
| FV103-9-1EB-G | 3/8" | 11.59 (294) | 3.15 (80) | 5.04 (128) | 7/16 - 20 SAE Female | 9/16 - 18 SAE Female | NGV1 P36   | 1.97 (50)             |
| FV103-9-1FB-F | 3/8" | 13.28 (337) | 3.15 (80) | 5.04 (128) | 7/16 - 20 SAE Female | 9/16 - 18 SAE Female | NGV1 P30   | 3.94 (100)            |
| FV103-9-1FB-G | 3/8" | 13.56 (344) | 3.15 (80) | 5.04 (128) | 7/16 - 20 SAE Female | 9/16 - 18 SAE Female | NGV1 P36   | 3.94 (100)            |

## Product Specification

| Part Code     | Mass<br>lb (kg) | Service<br>Pressure<br>psi (bar) * | MAWP<br>psi (bar) ** | Min.<br>Temp.<br>°F (°C) | Max.<br>Temp.<br>°F (°C) | Stem Open<br>Torque<br>ft-lb (Nm) | Cycles<br>Before<br>Rekit <sup>^</sup> | Cv <sup>+</sup> | Light Duty Transit Nozzle<br>Service Kits |
|---------------|-----------------|------------------------------------|----------------------|--------------------------|--------------------------|-----------------------------------|--|-----------------|---|
| FV103-9-11B-F | 3.24 (1.47)     | 3000 (207)                         | 4532 (312.5)         | -40 (-40)                | 185 (85)                 | 3.7 (5)                           | 100,000                                | 1.6             | FV103-SKLD / NC203-SK1                    |
| FV103-9-11B-G | 3.24 (1.47)     | 3600 (248)                         | 4532 (312.5)         | -40 (-40)                | 185 (85)                 | 3.7 (5)                           | 100,000                                | 1.6             | FV103-SKLD / NC203-SK1                    |
| FV103-9-1EB-F | 3.48 (1.58)     | 3000 (207)                         | 4532 (312.5)         | -40 (-40)                | 185 (85)                 | 3.7 (5)                           | 100,000                                | 1.6             | FV103-SKLD / NC203-SK1                    |
| FV103-9-1EB-G | 3.48 (1.58)     | 3600 (248)                         | 4532 (312.5)         | -40 (-40)                | 185 (85)                 | 3.7 (5)                           | 100,000                                | 1.6             | FV103-SKLD / NC203-SK1                    |
| FV103-9-1FB-F | 3.79 (1.72)     | 3000 (207)                         | 4532 (312.5)         | -40 (-40)                | 185 (85)                 | 3.7 (5)                           | 100,000                                | 1.6             | FV103-SKLD / NC203-SK1                    |
| FV103-9-1FB-G | 3.79 (1.72)     | 3600 (248)                         | 4532 (312.5)         | -40 (-40)                | 185 (85)                 | 3.7 (5)                           | 100,000                                | 1.6             | FV103-SKLD / NC203-SK1                    |

\* System pressure that the product is designed for.

\*\* Maximum pressure at which the product can constantly operate at.

<sup>^</sup> It is recommended that the fill valve is re-kitted on or before the maximum number of allowable cycles.

<sup>+</sup> Experimentally tested in accordance with ANSI/ISA 75.02.01:2008.



# FV103 Light Duty Fill Valve & Transit Nozzle

## Fill valve Service Kits

All wearing components are available for replacement with original Oasis service kits.

### FV103-SKLD

Fill valve service kit for sealing components, recommended to be replaced on or before the maximum cycles before re-kit as identified in product specifications.



### FV103-70

Fill valve handle replacement kit, to be replaced as required.





# 100 Series 45° Fill Valve With NGV1 Nozzle

## Applications

CNG and Bio-Gas dispenser for car, bus and truck filling & CNG Bio-Gas trailer load/unload systems.



FV103-4-01A-G - 45° Fill Valve & P36 NGV1 Nozzle

## Features & Benefits

The Oasis full flow fill valve & fueling nozzle redefines the flow rate standard for NGV gas delivery.

Intuitive fill valve and nozzle operation.

All Oasis fill valves and nozzles are easily serviced in the field using Oasis's product specific service kits.

Adaptors are available to extend the position of the nozzle.

## Product Information

All products are manufactured under ISO 9001 accredited standards.

With the HIGH FLOW design, this means more gas is dispensed faster to the vehicle, maximizing the number of vehicle fills per day and minimizing wasted gas.

Nozzle tested to ANSI/CGA NGV1 standard.

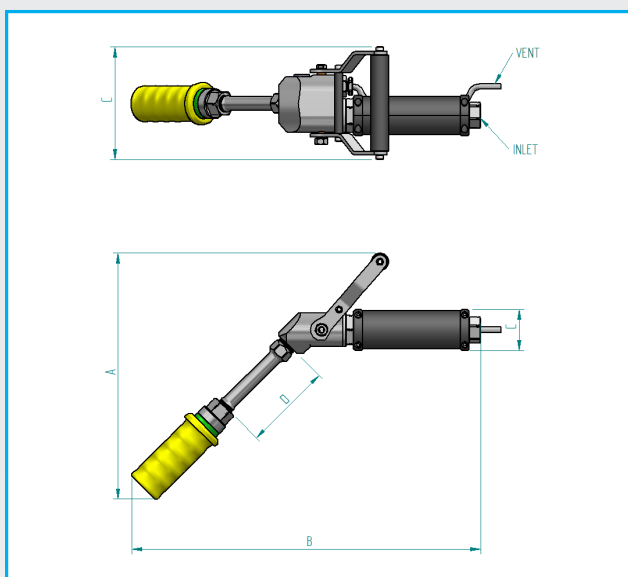
Complies to PED 2014/68/AU.

Video servicing instructions available online at [oasisngv.com/resources](http://oasisngv.com/resources).





# 100 Series 45° Fill Valve With NGV1 Nozzle



## Dimensions Inch (mm)

| Part Code     | Size | A          | B          | C          | D (Adaptor length) | E         | Inlet Port        | Vent Port | Outlet   |
|---------------|------|------------|------------|------------|--------------------|-----------|-------------------|-----------|----------|
| FV103-4-01A-F | 3/8" | 8.2 (209)  | 12.8 (324) | 1.8 (46.6) | 0.35 (9)           | 5.0 (128) | 3/4-16 SAE Female | 1/4" Tube | NGV1 P30 |
| FV103-4-01A-G | 3/8" | 8.4 (214)  | 13.0 (329) | 1.8 (46.6) | 0.35 (9)           | 5.0 (128) | 3/4-16 SAE Female | 1/4" Tube | NGV1 P36 |
| FV103-4-0EA-F | 3/8" | 9.4 (238)  | 13.9 (353) | 1.8 (46.6) | 1.97 (50)          | 5.0 (128) | 3/4-16 SAE Female | 1/4" Tube | NGV1 P30 |
| FV103-4-0EA-G | 3/8" | 9.6 (243)  | 14.1 (358) | 1.8 (46.6) | 1.97 (50)          | 5.0 (128) | 3/4-16 SAE Female | 1/4" Tube | NGV1 P36 |
| FV103-4-0FA-F | 3/8" | 10.8 (274) | 15.3 (388) | 1.8 (46.6) | 3.94 (100)         | 5.0 (128) | 3/4-16 SAE Female | 1/4" Tube | NGV1 P30 |
| FV103-4-0FA-G | 3/8" | 11.0 (279) | 15.5 (393) | 1.8 (46.6) | 3.94 (100)         | 5.0 (128) | 3/4-16 SAE Female | 1/4" Tube | NGV1 P36 |

## Product Specification

| Part Code     | Mass lb(kg) | Service Pressure psi (bar)* | MAWP psi (bar)** | Min. Temp. °F (°C) | Max. Temp. °F (°C) | Stem Open Torque ft-lb (Nm) | Cycles Before Rekit <sup>+</sup> | Cv <sup>+</sup> | Nozzle Service Kit | Fill Valve Service Kit |
|---------------|-------------|-----------------------------|------------------|--------------------|--------------------|-----------------------------|----------------------------------|-----------------|--------------------|------------------------|
| FV103-4-01A-F | 4.4 (2)     | 3000 (207)                  | 4532 (312.5)     | -40 (-40)          | 185 (85)           | 3.7 (5)                     | 100,000                          | 1.8             | NC203-SK1          | FV103-SKDN             |
| FV103-4-01A-G | 4.4 (2)     | 3600 (248)                  | 4532 (312.5)     | -40 (-40)          | 185 (85)           | 3.7 (5)                     | 100,000                          | 1.8             | NC203-SK1          | FV103-SKDN             |
| FV103-4-0EA-F | 4.6 (2.1)   | 3000 (207)                  | 4532 (312.5)     | -40 (-40)          | 185 (85)           | 3.7 (5)                     | 100,000                          | 1.8             | NC203-SK1          | FV103-SKDN             |
| FV103-4-0EA-G | 4.6 (2.1)   | 3600 (248)                  | 4532 (312.5)     | -40 (-40)          | 185 (85)           | 3.7 (5)                     | 100,000                          | 1.8             | NC203-SK1          | FV103-SKDN             |
| FV103-4-0FA-F | 4.8 (2.2)   | 3000 (207)                  | 4532 (312.5)     | -40 (-40)          | 185 (85)           | 3.7 (5)                     | 100,000                          | 1.8             | NC203-SK1          | FV103-SKDN             |
| FV103-4-0FA-G | 4.8 (2.2)   | 3600 (248)                  | 4532 (312.5)     | -40 (-40)          | 185 (85)           | 3.7 (5)                     | 100,000                          | 1.8             | NC203-SK1          | FV103-SKDN             |

\* System pressure that the product is designed for.

\*\* Maximum Allowable Working Pressure, the maximum pressure at which the product can constantly operate at.

^ It is recommended that the nozzle and fill valve are re-kitted on or before the maximum number of allowable cycles.

+ Tested in accordance with ANSI/ISA 75.02.01:2008

We reserve the right to modify product specifications without prior notice.



# 100 Series 45° Fill Valve With NGV1 Nozzle

## Service Kits

All wearing components are available for replacement with original Oasis service kits.

### FV103-SKDN

Fill valve service kit for sealing components, recommended to be replaced on or before the maximum cycles before re-kit as identified in product specifications.



### NC203-SK1

NGV1 P30/P36 nozzle service kit, recommended to be replaced on or before the maximum cycles before re-kit as identified in product specifications.



### FV103-17

Fill valve 2 piece handle sleeve, to be replaced as required.



### FV103-70

Fill valve handle replacement kit, to be replaced as required.





# 100 Series 180° Fill Valve With NGV1 Nozzle

## Applications

CNG and Bio-Gas dispenser for car, bus and truck filling & CNG and Bio-Gas trailer load/unload systems.



FV103-0-AD6-G - 180° Fill Valve & P36 NGV1 Nozzle

## Features & Benefits

The Oasis full flow fill valve & fueling nozzle redefines the flow rate standard for NGV gas delivery.

Intuitive fill valve and nozzle operation.

All Oasis fill valves and nozzles are easily serviced in the field using Oasis's product specific service kits.

Adaptors are available to extend the position of the nozzle.

## Product Information

All products are manufactured under ISO 9001 accredited standards.

The FULL FLOW design means more gas is dispensed faster to the vehicle, maximising the number of vehicle fills per day and minimising wasted gas.

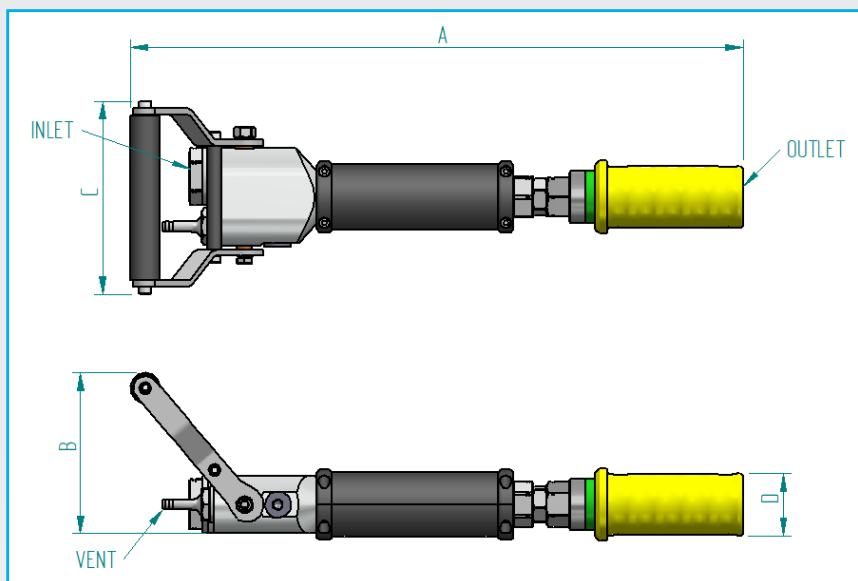
Nozzle tested to ANSI/CGA NGV1 standard.

Complies to PED 2014/68/EU.

Video servicing instructions available online at [oasisngv.com/resources](http://oasisngv.com/resources).



# 100 Series 180° Fill Valve With NGV1 Nozzle



## Dimensions Inch (mm)

| Part Code     | Size | A          | B         | C       | D        | Inlet Port         | Vent Port           | Outlet   |
|---------------|------|------------|-----------|---------|----------|--------------------|---------------------|----------|
| FV103-0-AD6-F | 3/8" | 15.7 (398) | 4.2 (106) | 5 (128) | 1.6 (41) | 9/16-18 SAE Female | 1/4" Male Tube Stub | NGV1 P30 |
| FV103-0-AD6-G | 3/8" | 16.0 (405) | 4.2 (106) | 5 (128) | 1.6 (41) | 9/16-18 SAE Female | 1/4" Male Tube Stub | NGV1 P36 |

## Product Specification

| Part Code     | Mass<br>lb (kg) | Service<br>Pressure<br>psi (bar)* | MAWP<br>psi (bar)** | Min.<br>Temp.<br>°F (°C) | Max.<br>Temp.<br>°F (°C) | Stem Open<br>Torque<br>ft-lb (Nm) | Cycles Before<br>Rekit <sup>^</sup> | Cv <sup>+</sup> | Nozzle<br>Service Kit | Fill Valve<br>Service Kit |
|---------------|-----------------|-----------------------------------|---------------------|--------------------------|--------------------------|-----------------------------------|-------------------------------------|-----------------|-----------------------|---------------------------|
| FV103-0-AD6-F | 4.4 (2)         | 3000 (207)                        | 4532 (312.5)        | -40 (-40)                | 185 (85)                 | 3.7 (5)                           | 100,000                             | 1.9             | NC203-SK1             | FV103-SKDN                |
| FV103-0-AD6-G | 4.4 (2)         | 3600 (248)                        | 4532 (312.5)        | -40 (-40)                | 185 (85)                 | 3.7 (5)                           | 100,000                             | 1.9             | NC203-SK1             | FV103-SKDN                |

\* System pressure that the product is designed for.

\*\* Maximum Allowable Working Pressure, maximum pressure at which the product can continuously operate.

<sup>^</sup> It is recommended that the nozzle and fill valve are re-kitted on or before the maximum number of allowable cycles.

<sup>+</sup> Tested in accordance with ANSI/ISA 75.02.01:2008



## 100 Series 180° Fill Valve With NGV1 Nozzle

### Service Kits

All wearing components are available for replacement with original Oasis service kits.

#### FV103-SKDN

Fill valve service kit for sealing components, recommended to be replaced on or before the maximum cycles before re-kit as identified in product specifications.



#### NC203-SK1

NGV1 P30/P36 nozzle service kit, recommended to be replaced on or before the maximum cycles before re-kit as identified in product specifications.



#### FV103-17

Fill valve 2 piece handle sleeve, to be replaced as required.



#### FV103-70

Fill valve handle replacement kit, to be replaced as required.





# 100 Series 45° Fill Valve With Bus and Truck Nozzle

## Application

CNG and Bio-Gas Dispenser for Bus and Truck filling



FV103-4-02A-C 45° Fill Valve & NC104-200 Nozzle

## Features & Benefits

The Oasis Full Flow Fill Valve with Bus & Truck Fuelling Nozzle redefines the flow rate standard for NGV gas delivery.

Hardened segment connection nozzle increases gripping surface area and reduces wear in receptors.

Green indicator shows nozzle in coupled position.

Both Fill Valve & Nozzle serviceable onsite with Oasis Service Kits.

The FULL FLOW design means more gas is dispensed faster to the vehicle, maximising the number of vehicle fills per day and minimising wasted gas.

## Product Information

All products are manufactured under ISO 9001 accredited standards.

Bus & truck fuelling nozzle designed and tested to ISO 14469-2 Standard.

Complies to PED 2014/68/EU.

Nozzle to fit DN12 (C200) receptacles as per ISO 14469-2 Standard.

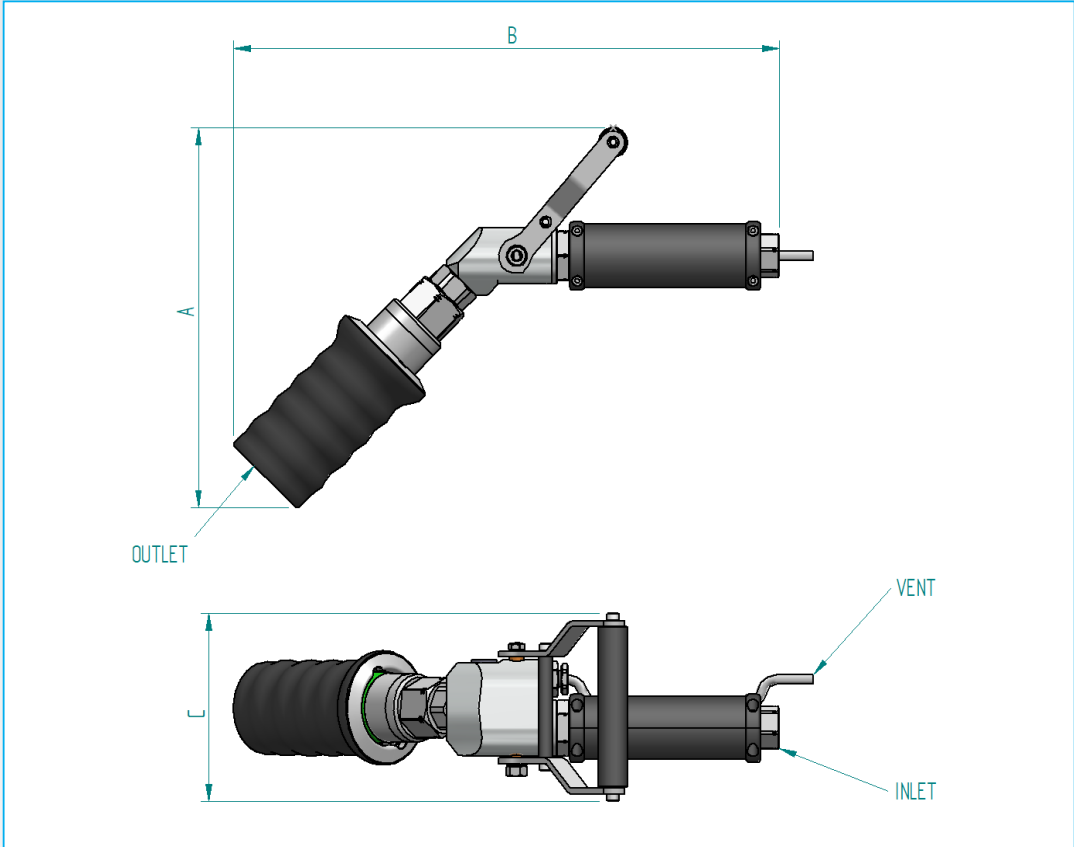
Video servicing instructions available online at [oasisngv.com/resources](http://oasisngv.com/resources)



Example of Receptacle DN12



# 100 Series 45° Fill Valve With Bus and Truck Nozzle



## Dimensions Inch (mm)

| Part Code     | Size | A          | B          | C       | Inlet Port   | Vent Line | Outlet | Nozzle      |
|---------------|------|------------|------------|---------|--------------|-----------|--------|-------------|
| FV103-4-02A-C | 3/8" | 10.2 (258) | 14.6 (372) | 5 (128) | 3/4 - 16 SAE | 1/4" Tube | P30HD# | NC104-200^^ |

## Product Specification

| Part Code     | Mass lb (kg) | Min. Operating Pressure psi (bar) | MAWP psi (bar) ** | Min. Temp. °F (°C) | Max. Temp. °F (°C) | Stem Open Torque ft-lb (N-m) | Cycles Before Rekit <sup>^</sup> | Cv <sup>+</sup> | Nozzle Service Kit <sup>^^</sup> | Fill Valve Service Kit |
|---------------|--------------|-----------------------------------|-------------------|--------------------|--------------------|------------------------------|----------------------------------|-----------------|----------------------------------|------------------------|
| FV103-4-02A-C | 7.2 (3.3)    | 7 (0.5)                           | 4532 (312.5)      | -40 (-40)          | 185 (85)           | 3.7 (5)                      | 100,000                          | 2.6             | NC104-SK200-1                    | FV103-SKDN             |

# Also connects to P36HD receptacles

\*\* Maximum Allowable Working Pressure, maximum pressure at which the product can continuously operate.

<sup>^</sup> It is recommended that the nozzle is re-kitted on or before the allowable cycles. This can be undertaken easily on site.

<sup>^^</sup> NC104-SK200-1 service kit for NC104-200 nozzle only. For NC104-C200 use NC104-SK service kit only.

<sup>+</sup> Tested in accordance with ANSI/ISA 75.02.01:2008

We reserve the right to modify product specifications without prior notice.



## 100 Series 45° Fill Valve With Bus and Truck Nozzle

### Service Kits

All wearing components are available for replacement with original Oasis service kits

#### FV103-SKDN

Fill valve service kit for sealing components, recommended to be replaced on or before the maximum cycles before re-kit as identified in product specifications.



#### NC104-SK200-1

Bus and truck nozzle service kit, recommended to be replaced on or before the maximum cycles before re-kit as identified in product specifications



NC104-SK200-1 service kit for NC104-200 nozzle only.

#### FV103-17

Fill valve 2 piece handle sleeve, to be replaced as required



#### FV103-70

Fill valve handle replacement kit, to be replaced as required







# 100 Series 180° Fill Valve With Bus and Truck Nozzle

## Application

CNG and Bio-Gas Dispenser for Bus and Truck filling



FV103-0-AC6-C 180° Fill Valve & NC104-200 Nozzle

## Features & Benefits

The Oasis Full Flow Fill Valve with Bus & Truck Fuelling Nozzle redefines the flow rate standard for NGV gas delivery.

Hardened segment connection nozzle increases gripping surface area and reduces wear in receptors.

Green indicator shows nozzle in coupled position.

Both Fill Valve & Nozzle serviceable onsite with Oasis Service Kits.

The FULL FLOW design means more gas is dispensed faster to the vehicle, maximising the number of vehicle fills per day and minimising wasted gas.

## Product Information

All products are manufactured under ISO 9001 accredited standards.

Bus & truck fuelling nozzle designed and tested to ISO 14469-2 Standard.

Complies to PED 2014/68/EU.

Nozzle to fit DN12 (C200) receptacles as per ISO 14469-2 Standard.

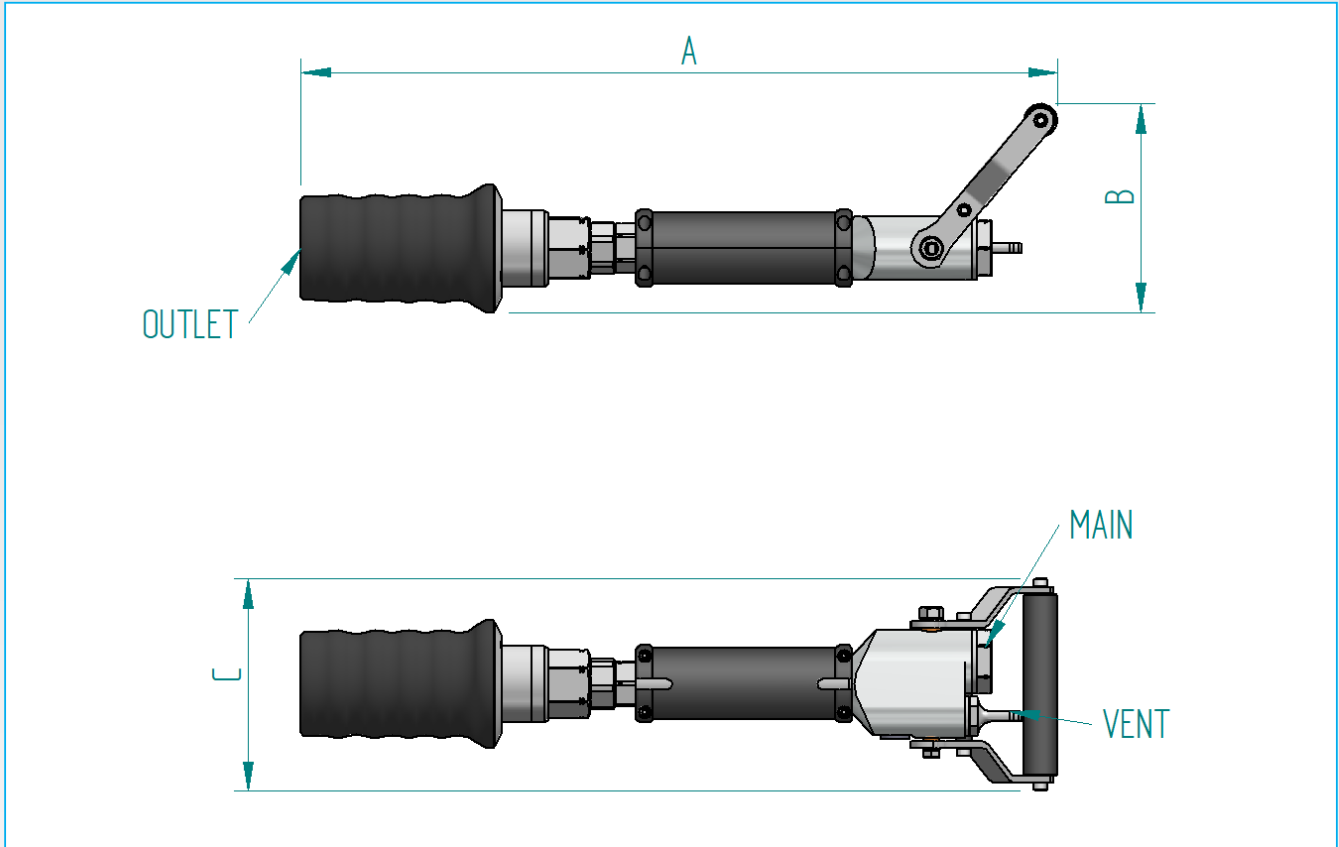
Video servicing instructions available online at [oasisngv.com/resources](http://oasisngv.com/resources)



Example of Receptacle DN12



# 100 Series 180° Fill Valve With Bus and Truck Nozzle



## Dimensions Inch (mm)

| Part Code     | Size | A          | B       | C       | Inlet Port   | Vent Line           | Outlet | Nozzle      |
|---------------|------|------------|---------|---------|--------------|---------------------|--------|-------------|
| FV103-0-AC6-C | 3/8" | 17.9 (455) | 5 (126) | 5 (128) | 3/4 - 16 SAE | 1/4" Male Tube Stub | P30HD# | NC104-200^^ |

## Product Specification

| Part Code     | Mass<br>lb (kg) | Min.<br>Operating<br>Pressure<br>psi (bar) | MAWP<br>psi (bar)** | Min.<br>Temp.<br>°F (°C) | Max.<br>Temp.<br>°F (°C) | Stem Open<br>Torque<br>ft-lb (Nm) | Cycles<br>Before<br>Rekit ^ | Cv <sup>+</sup> | Nozzle Service<br>Kit ^^ | Fill Valve<br>Service<br>Kit |
|---------------|-----------------|--|---------------------|--------------------------|--------------------------|-----------------------------------|-----------------------------|-----------------|--------------------------|------------------------------|
| FV103-0-AC6-C | 7.3 (3.3)       | 7 (0.5)                                    | 4532 (312.5)        | -40 (-40)                | 185 (85)                 | 3.7 (5)                           | 100,000                     | 2.7             | NC104-SK200-1            | FV103-SKDN                   |

# Also connects to P36HD receptacles.

\*\* Maximum Allowable Working Pressure, the maximum pressure at which the product can constantly operate at.

^ It is recommended that the nozzle is re-kitted on or before the allowable cycles. This can be undertaken easily on site.

^^ NC104-SK200-1 service kit for NC104-200 nozzle only. For NC104-C200 use NC104-SK service kit only.

+ Tested in accordance with ANSI/ISA 75.02.01:2008

We reserve the right to modify product specifications without prior notice.



## 100 Series 180° Fill Valve With Bus and Truck Nozzle

### Service Kits

All wearing components are available for replacement with original Oasis service kits

#### FV103-SKDN

Fill valve service kit for sealing components, recommended to be replaced on or before the maximum cycles before re-kit as identified in product specifications.



#### NC104-SK200-1

Bus and truck nozzle service kit, recommended to be replaced on or before the maximum cycles before re-kit as identified in product specifications



NC104-SK200-1 service kit for NC104-200 nozzle only.

#### FV103-17

Fill valve 2 piece handle sleeve, to be replaced as required



#### FV103-70

Fill valve handle replacement kit, to be replaced as required

